

# Fuse Cutout

## Overview

Drop type fuse and load drop type fuse is the outdoor high voltage protective device. It equipment in distribution transformer high voltage side or distribution line branch trunk road, as the transformer and line short road, overload protection and points, closing load current. Drop type fuse by the insulating bracket and the fuse tube is composed of two parts, the static contact is mounted in the insulated bracket at both ends, moving contact mounting of the fuse tube ends of wire tube comprises a layer of arc tube and an outer layer of epoxy glass tube. Load dropping type fuse increased elastic auxiliary contact and arc extinguishing cover with points, closing load current.

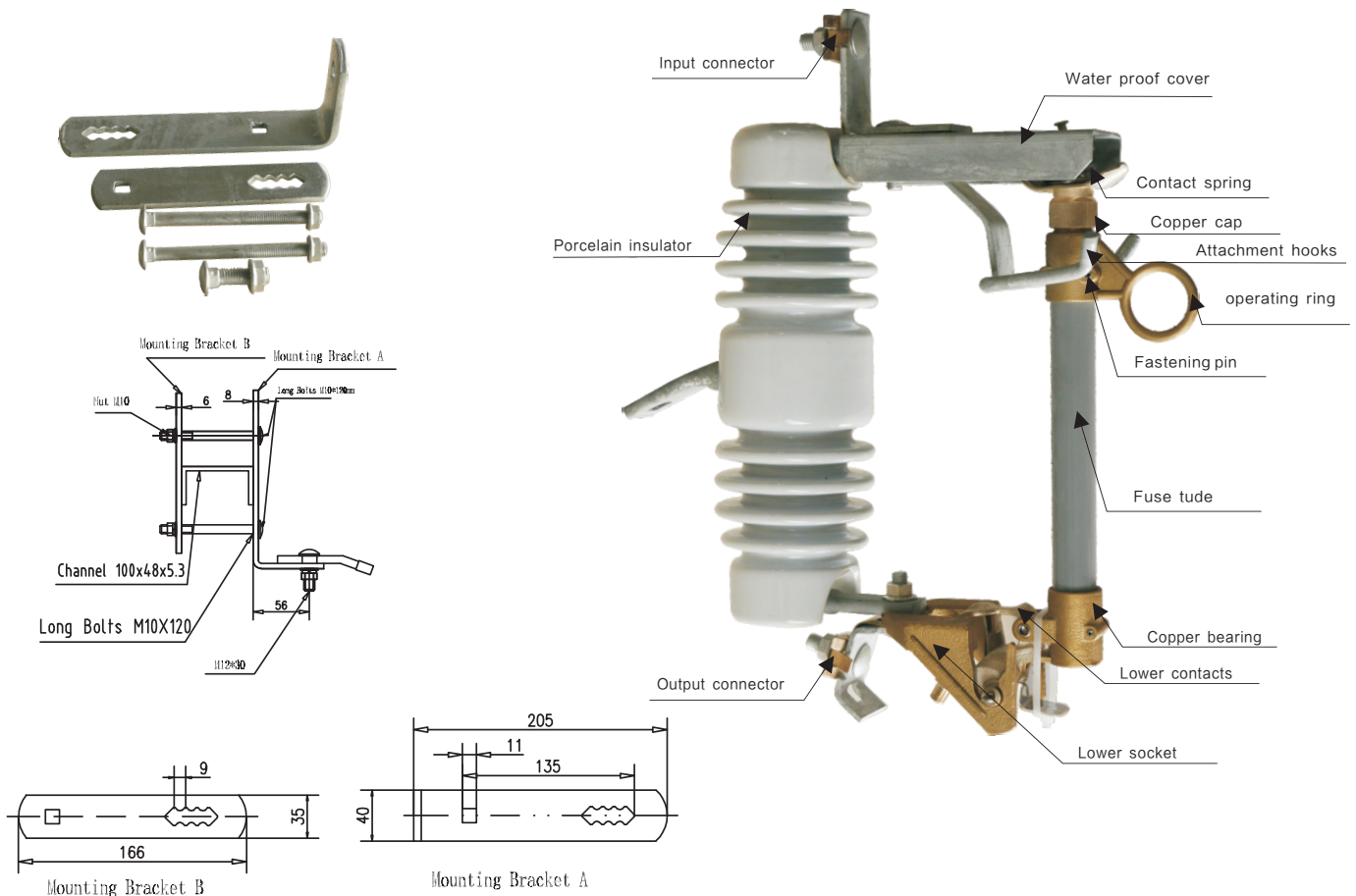
Drop type fuse in normal operation, the fuse tube with fuse tension after the formation of the closed position. When a fault occurs, fault current that the fuse is fused quickly, and the formation of arc, arc tube by arc burning, decomposition of the large amounts of gas, so that the tube is formed inside the high pressure, and along the pipeline to form an axial blow, arc is rapidly stretched out. After the fuse wire is broken, the lower moving contact without pulling down, the locking mechanism to release the fuse tube, fuse tube falls, formed apparent breaking position. When the need to pull the load with the insulating rod, moving contact, when active, static help contact still ran contact, continue to use the insulating rod to pull contact auxiliary contact separation. Also, in the auxiliary contacts between arc, arc in the arc cover slit is elongated, and arc extinguishing cover to generate gas, in the electrical flow through zero, the extinction of arc.

### 1. Normal conditions of fuse:

- a) Environmental temperature not higher than 40°C, not lower than -40°C;
- b) Altitude does not exceed 1000m;
- c) The maximum wind speed of no more than 35m/s;
- d) Does not exceed 8 degree earthquake intensity.

### 2. The product is not applicable to the following locations:

- a) Combustion or explosion risk areas;
- b) With severe vibration or shock sites;
- c) Acidic, chemical gas and serious pollution, salt fog area.



# 12~36kV Fuse cutout



## 11~15KV

Type	Rated voltage (kv)	Rated current (A)	Breaking current (KA)	Impulse voltage (BIL)	Power frequency withstand voltage	Leakage distance (MM)	Weight (KG)	Dimensions (MM)
DNRW12-11-15	11-15	100	10	110	40	240	7	420×370 ×135
DNRW12-11-15	11-15	200	12	110	40	240	7.5	



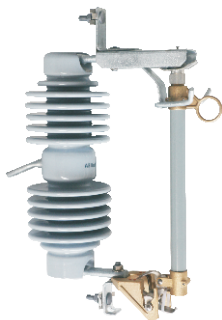
## 11~15kV

Type	Rated voltage (kv)	Rated current (A)	Breaking current (KA)	Impulse voltage (BIL)	Power frequency withstand voltage	Leakage distance (MM)	Weight (KG)	Dimensions (MM)
DNRW12-11-15	11-15	100	10	110	40	372	8.5	520×370 ×135MM
DNRW12-11-15	11-15	200	12	110	40	372	9	



## 11~15KV

Type	Rated voltage (kv)	Rated current (A)	Breaking current (KA)	Impulse voltage (BIL)	Power frequency withstand voltage	Leakage distance (MM)	Weight (KG)	Dimensions (MM)
DNRW12-11-15	11-15	100	10	110	40	372	8.5	580×400 ×150MM
DNRW12-11-15	11-15	200	12	110	40	372	9	



## 24~27KV

Type	Rated voltage (kv)	Rated current (A)	Breaking current (KA)	Impulse voltage (BIL)	Power frequency withstand voltage	Leakage distance (MM)	Weight (KG)	Dimensions (MM)
DNRW12-24-27	24-27	100	10	125	65	530(480)	11	525×380 ×170MM
DNRW12-24-27	24-27	200	12	125	65	530(480)	11.5	

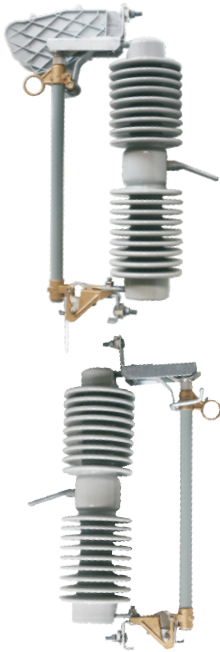


## 24~27kV

Type	Rated voltage (kv)	Rated current (A)	Breaking current (KA)	Impulse voltage (BIL)	Power frequency withstand voltage	Leakage distance (MM)	Weight (KG)	Dimensions (MM)
DNRW12-24-27	24-27	100	10	125	65	530(480)	11	525×380 ×170MM
DNRW12-24-27	24-27	200	12	125	65	530(480)	11.5	

# 12~36kV Fuse cutout

## 33kV~36kV



Type	Rated voltage (kv)	Rated current (A)	Breaking current (A)	Impulse voltage (BIL)	Power frequency withstand voltage	Leakage distance (MM)	Weight (KG)	Dimensions (MM)
DNRW12-33-36 (F) /100	33~36	100	10000	170	70	660(720)	15.5	640(680)X450 X170
DNRW12-33-36 (F) /200	33~36	200	12500	170	70	660(720)	16	

## 33kV~36kV

Type	Rated voltage (kv)	Rated current (A)	Breaking current (A)	Impulse voltage (BIL)	Power frequency withstand voltage	Leakage distance (MM)	Weight (KG)	Dimensions (MM)
DNRW12-33-36/100	33~36	100	10000	170	70	660(720)	14.5(15)	620(660)X380 X170
DNRW12-33-36/200	33~36	200	12500	170	70	660(720)	15(15.5)	

## 11~15kV



Type	Rated voltage (kv)	Rated current (A)	Breaking current (A)	Impulse voltage (BIL)	Power frequency withstand voltage	Leakage distance (MM)	Weight (KG)	Dimensions (MM)
DNRW10-11-15/100	11~15	100	10000	110	40	372	8.5	520X370 X135
DNRW10-11-15/200	11~15	200	12500	110	40	372	9	

## 24~27KV



Type	Rated voltage (kv)	Rated current (A)	Breaking current (A)	Impulse voltage (BIL)	Power frequency withstand voltage	Leakage distance (MM)	Weight (KG)	Dimensions (MM)
DNRW10-24-27/100	24~27	100	10000	125	65	480	10.5	525X380 X170
DNRW10-24-27/200	24~27	200	12500	125	65	480	11	

## 11~15KV



Type	Rated voltage (kv)	Rated current (A)	Breaking current (A)	Impulse voltage (BIL)	Power frequency withstand voltage	Leakage distance (MM)	Weight (KG)	Dimensions (MM)
DNRW12-11-15/100	11~15	100	10000	110	45	372	5	520X400 X140
DNRW12-11-15/200	11~15	200	12500	110	45	372	5.5	

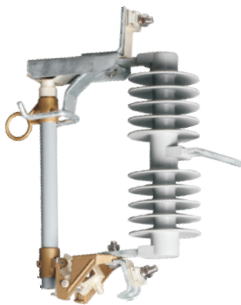
# 12~36kV Fuse cutout

## 11kV~15kV



Type	Rated voltage (kv)	Rated current (A)	Breaking current (A)	Impulse voltage (BIL)	Power frequency withstand voltage	Leakage distance (MM)	Weight (KG)	Dimensions (MM)
DNHRW12-11-15(F)/100	11~15	100	10000	110	45	480	6	480×480 ×145
DNHRW12-11-15(F)/200	11~15	200	12500	110	45	480	6.5	

## 11kV~15kV



Type	Rated voltage (kv)	Rated current (A)	Breaking current (A)	Impulse voltage (BIL)	Power frequency withstand voltage	Leakage distance (MM)	Weight (KG)	Dimensions (MM)
DNHRW12-11-15/100	11~15	100	10000	110	45	480	6	440×400 ×145
DNHRW12-11-15/200	11~15	200	12500	110	45	480	6.5	

## 24~27kV



Type	Rated voltage (kv)	Rated current (A)	Breaking current (A)	Impulse voltage (BIL)	Power frequency withstand voltage	Leakage distance (MM)	Weight (KG)	Dimensions (MM)
DNHRW12-24-27/100	24~27	100	10000	150	70	660	6	520×370 ×135
DNHRW12-24-27/200	24~27	200	12500	150	70	660	6.5	

## 24~27KV



Type	Rated voltage (kv)	Rated current (A)	Breaking current (A)	Impulse voltage (BIL)	Power frequency withstand voltage	Leakage distance (MM)	Weight (KG)	Dimensions (MM)
DNHRW10-24-27(F)/100	24~27	100	10000	150	70	660	6	510×400 ×145
DNHRW10-24-27(F)/200	24~27	200	12500	150	70	660	6.5	

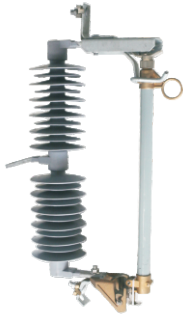
## 24~27kV



Type	Rated voltage (kv)	Rated current (A)	Breaking current (A)	Impulse voltage (BIL)	Power frequency withstand voltage	Leakage distance (MM)	Weight (KG)	Dimensions (MM)
DNHRW10-24-27/100	24~27	100	10000	150	70	660		520×400 ×140
DNHRW10-24-27/200	24~27	200	12500	150	70	660		

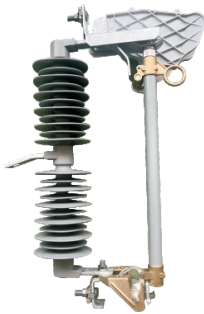
# 12~36kV Fuse cutout

## 33kV~36kV



Type	Rated voltage (kv)	Rated current (A)	Breaking current (A)	Impulse voltage (BIL)	Power frequency withstand voltage	Leakage distance (MM)	Weight (KG)	Dimensions (MM)
DNHRW12-33-36/100	33~36	100	10000	195	85	1080	6	620×360 ×135
DNHRW12-33-36/200	33~36	200	12500	195	85	1080	6.5	

## 33kV~36kV



Type	Rated voltage (kv)	Rated current (A)	Breaking current (A)	Impulse voltage (BIL)	Power frequency withstand voltage	Leakage distance (MM)	Weight (KG)	Dimensions (MM)
DNHRW12-33-36(F)/100	33~36	100	10000	195	85	1080	6.5	670×380 ×135
DNHRW12-33-36(F)/200	33~36	200	12500	195	85	1080	7	

## 33kV~36kV



Type	Rated voltage (kv)	Rated current (A)	Breaking current (A)	Impulse voltage (BIL)	Power frequency withstand voltage	Leakage distance (MM)	Weight (KG)	Dimensions (MM)
DNHRW12-33-36/100	33~36	100	10000	195	85	825	6.5	615×400 ×145
DNHRW12-33-36/200	33~36	200	12500	195	85	825	7	

## 24 ~ 27KV



Type	Rated voltage (kv)	Rated current (A)	Breaking current (A)	Impulse voltage (BIL)	Power frequency withstand voltage	Leakage distance (MM)	Weight (KG)	Dimensions (MM)
DNHRW12-24-27(F)/100	24~27	100	10000	195	85	825	7	655×480 ×145
DNHRW12-24-27(F)/200	24~27	200	12500	195	85	825	7.5	

## 24 ~ 27KV



Type	Rated voltage (kv)	Rated current (A)	Breaking current (A)	Impulse voltage (BIL)	Power frequency withstand voltage	Leakage distance (MM)	Weight (KG)	Dimensions (MM)
DNRW-24-27/100	24~27	100	10000	125	65	480	10.5	525×380 ×170
DNRW-24-27/100	24~27	200	12500	125	65	480	11	