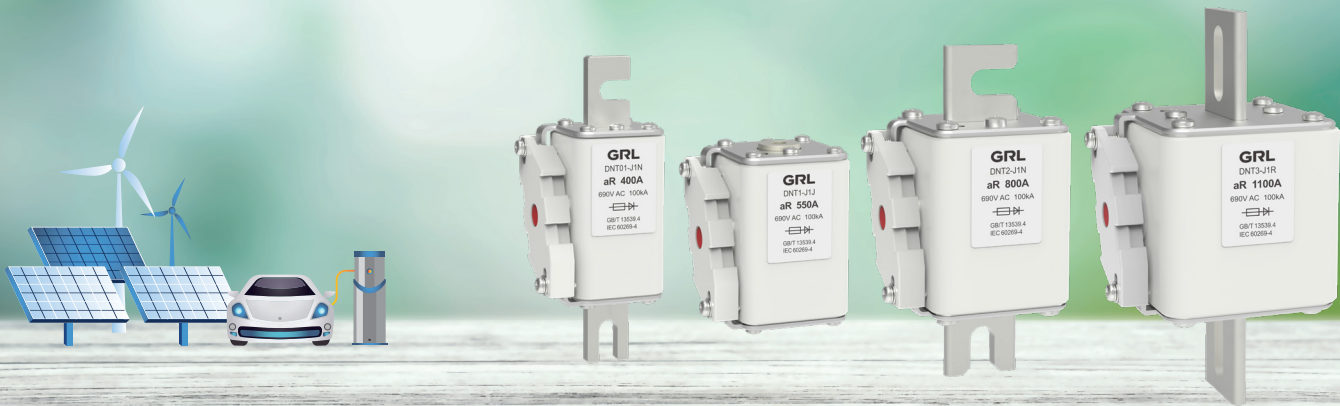


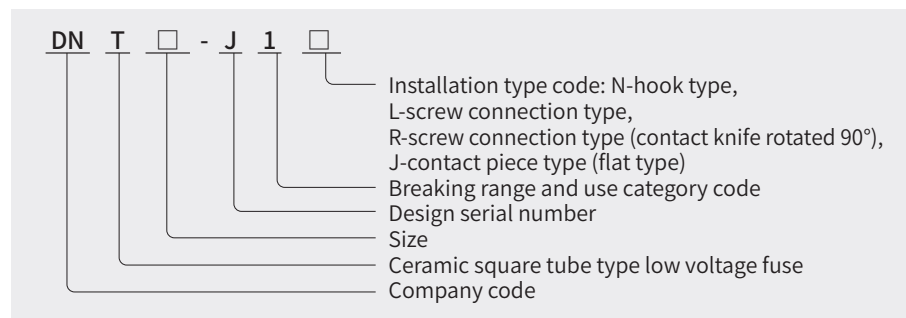
# DNT□-J1□ Fuse for Semiconductor Equipment Protection



## Product Description

This series of fuses for semiconductor equipment protection features strong current-limiting capability and high breaking capacity. They are suitable for rail transit, electric vehicle new energy stations, communications, and the power industry. These fuses can be used for short-circuit and overload current protection in power systems, energy storage systems, inverters, semiconductor equipment components, and devices.

## Model and meaning



## Normal working conditions

1. Ambient Air Temperature: The ambient air temperature  $T_a$  does not exceed 40°C, with an average value measured over 24 hours not exceeding 35°C, and the average value measured over one year being below this value. The minimum ambient air temperature is -5°C.
2. Altitude: The altitude of the installation location does not exceed 2000m.
3. Atmospheric Conditions: The air is clean, with a relative humidity not exceeding 50% at a maximum temperature of 40°C. Higher relative humidity is allowed at lower temperatures, e.g., 90% at 20°C. Under these conditions, moderate condensation may occasionally occur due to temperature changes.

## Ordering Instructions

When placing an order, the user should provide the following information:  
DNT series fuses for semiconductor equipment protection should specify the model, rated current, rated voltage, and quantity.  
Example:  
DNT01-J1N-250A/690V AC, 10 pieces

# DNT01-J1J

## Fuse for Semiconductor Equipment Protection

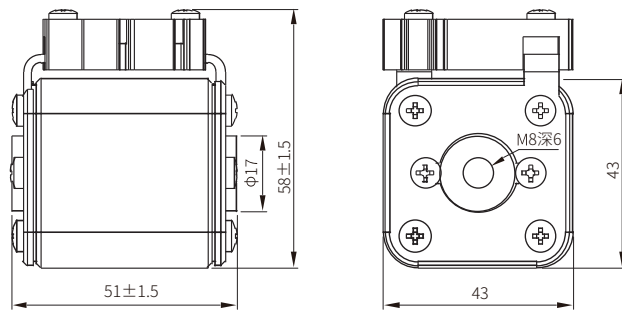


Rated Voltage	690V AC
Rated Current	40~400A
Protection Category	aR
Breaking Capacity	100kA
Reference Standard	GB/T 13539.4、IEC 60269-4
Certificates	CCC CE TUV

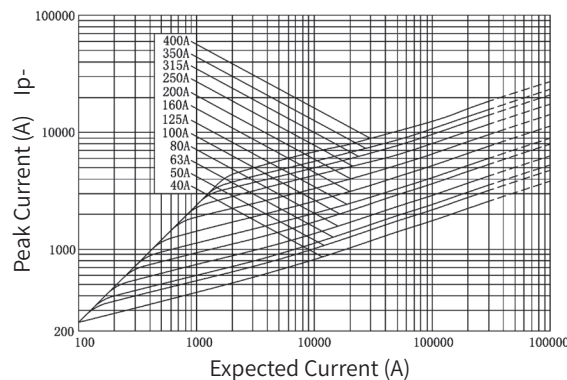
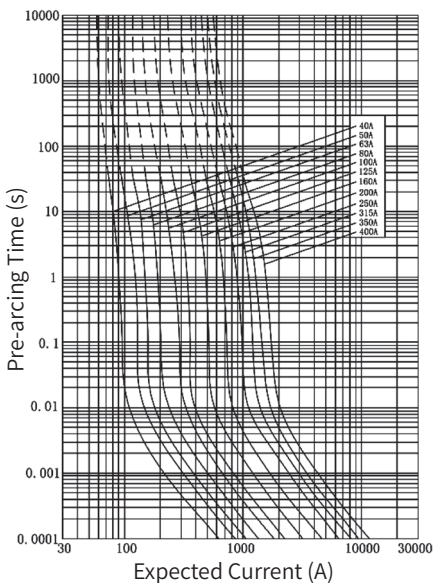
### Product parameter

Model No.	Size	Ue (V)	In (A)	I <sup>2</sup> t (A <sup>2</sup> S)		0.5In Power dissipation(W)	0.8In Power dissipation(W)	1.0In Power dissipation(W)	Weight (g)	Mounting
				Pre-Arcing	Fusing					
DNT01-J1J-40A/690V AC	01	690	40	89	580	1.5	5	8.5	310±3%	M8 10±1N.m
DNT01-J1J-50A/690V AC	01		50	60	1035	2	5.5	9		
DNT01-J1J-63A/690V AC	01		63	266	1750	2.5	7	12		
DNT01-J1J-80A/690V AC	01		80	430	2800	3	10.5	16		
DNT01-J1J-100A/690V AC	01		100	800	5220	3.5	11	18.5		
DNT01-J1J-125A/690V AC	01		125	1420	9270	4	13	22		
DNT01-J1J-160A/690V AC	01		160	2400	15720	5	16.5	28		
DNT01-J1J-200A/690V AC	01		200	4350	28500	6.5	20	34		
DNT01-J1J-250A/690V AC	01		250	7220	46900	8	25	42		
DNT01-J1J-315A/690V AC	01		315	12200	79800	10	32	52		
DNT01-J1J-350A/690V AC	01		350	17300	112500	10.5	32.5	55		
DNT01-J1J-400A/690V AC	01		400	24100	157000	12	36.5	62		

### Overall dimensions (mm)



### Characteristic curve



### Usage and Maintenance

- 1.Installation, the size of the screw into the column does not exceed 6 mm ( recommended 5mm )
- 2.When tightening the nut, keep the nut can't rotate ;
- 3.It is recommended to use a stud installation, there is no recommended torque when the stud is screwed in, which is 1mm below the depth of the thread ;
- 4.The nut tightening torque is 10±1N.m.

# DNT01-J1N

## Fuse for Semiconductor Equipment Protection

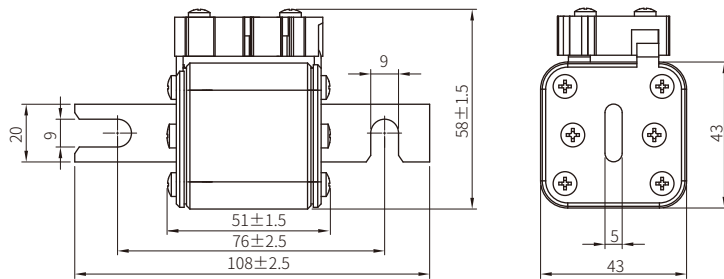


Rated Voltage	690V AC
Rated Current	40~400A
Protection Category	aR
Breaking Capacity	100kA
Reference Standard	GB/T 13539.4、IEC 60269-4
Certificates	CCC CE TUV

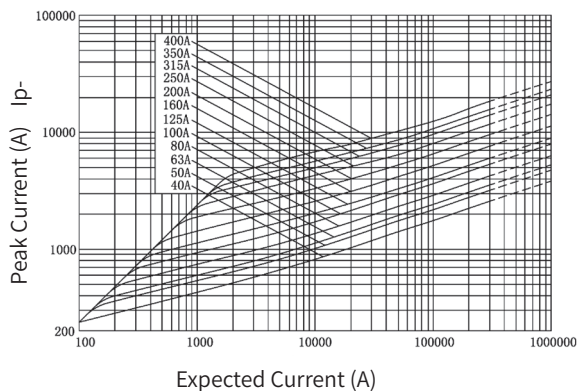
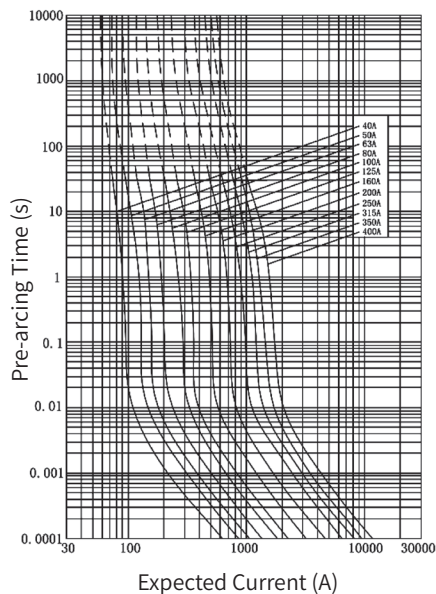
### Product parameter

Model No.	Size	Ue (V)	In (A)	I <sup>2</sup> t (A <sup>2</sup> S)		0.5In Power dissipation(W)	0.8In Power dissipation(W)	1.0In Power dissipation(W)	Weight (g)	Mounting
				Pre-Arcing	Fusing					
DNT01-J1N-40A/690V AC	01	690	40	89	580	1.5	5	8.5	335±3%	M8 10±1N.m
DNT01-J1N-50A/690V AC	01		50	60	1035	2	5.5	9		
DNT01-J1N-63A/690V AC	01		63	266	1750	2.5	7	12		
DNT01-J1N-80A/690V AC	01		80	430	2800	3	10.5	16		
DNT01-J1N-100A/690V AC	01		100	800	5220	3.5	11	18.5		
DNT01-J1N-125A/690V AC	01		125	1420	9270	4	13	22		
DNT01-J1N-160A/690V AC	01		160	2400	15720	5	16.5	28		
DNT01-J1N-200A/690V AC	01		200	4350	28500	6.5	20	34		
DNT01-J1N-250A/690V AC	01		250	7220	46900	8	25	42		
DNT01-J1N-315A/690V AC	01		315	12200	79800	10	32	52		
DNT01-J1N-350A/690V AC	01		350	17300	112500	10.5	32.5	55		
DNT01-J1N-400A/690V AC	01		400	24100	157000	12	36.5	62		

### Overall dimensions (mm)



### Characteristic curve



# DNT1-J1J

## Fuse for Semiconductor Equipment Protection

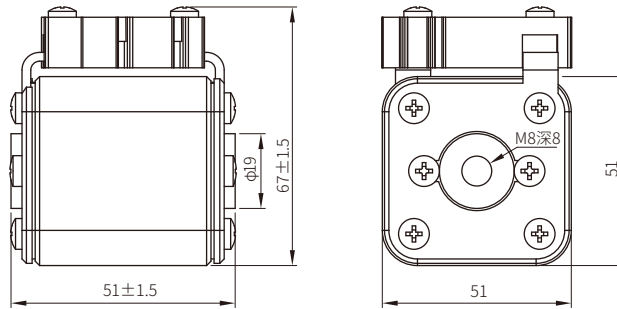


Rated Voltage	690V AC
Rated Current	100-630A
Protection Category	aR
Breaking Capacity	100kA
Reference Standard	GB/T 13539.4、IEC 60269-4
Certificates	CCC CE TUV

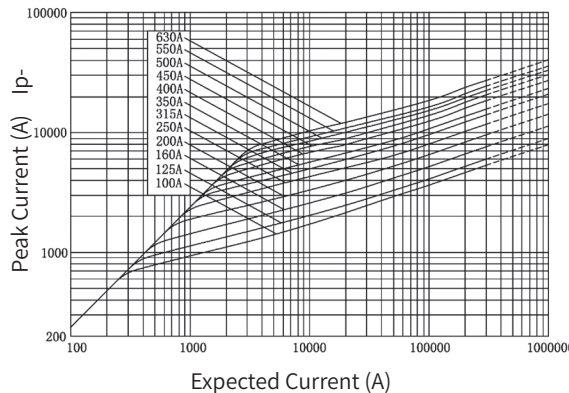
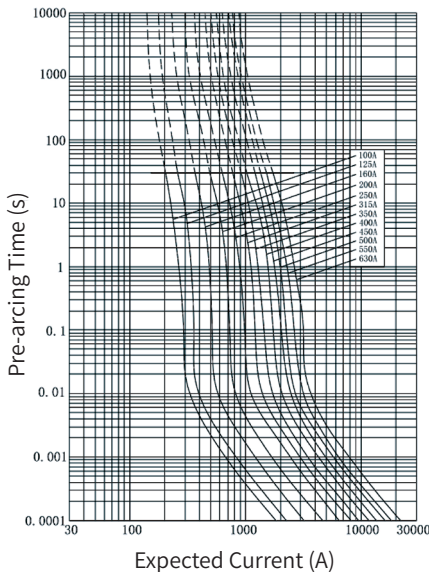
### Product parameter

Model No.	Size	Ue (V)	In (A)	I <sup>2</sup> t (A <sup>2</sup> S)		0.5In Power dissipation(W)	0.8In Power dissipation(W)	1.0In Power dissipation(W)	Weight (g)	Mounting
				Pre-Arcing	Fusing					
DNT1-J1J-100A/690V AC	1	690	100	860	7600	2	11	19	435±3%	M10 21±1N.m
DNT1-J1J-125A/690V AC	1		125	1250	12200	4	14	23		
DNT1-J1J-160A/690V AC	1		160	2600	22800	5	17	28		
DNT1-J1J-200A/690V AC	1		200	3600	31800	7	22	37		
DNT1-J1J-250A/690V AC	1		250	5900	54500	9	27	45		
DNT1-J1J-315A/690V AC	1		315	9500	85800	11	34	57		
DNT1-J1J-350A/690V AC	1		350	12500	118000	12	35	60		
DNT1-J1J-400A/690V AC	1		400	17700	175000	13	59	66		
DNT1-J1J-450A/690V AC	1		450	24750	242500	14	42	71		
DNT1-J1J-500A/690V AC	1		500	31800	312200	15	45	77		
DNT1-J1J-550A/690V AC	1		550	43400	425000	16	47	80		
DNT1-J1J-630A/690V AC	1		630	63900	653000	18	52	87		

### Overall dimensions (mm)



### Characteristic curve



### Usage and Maintenance

1. Installation, the size of the screw into the column does not exceed 8 mm ( recommended 7mm )
2. When tightening the nut, keep the nut can't rotate ;
3. It is recommended to use a stud installation, there is no recommended torque when the stud is screwed in, which is 1mm below the depth of the thread ;
4. The nut tightening torque is 10±1N.m.



# DNT1-J1N

## Fuse for Semiconductor Equipment Protection

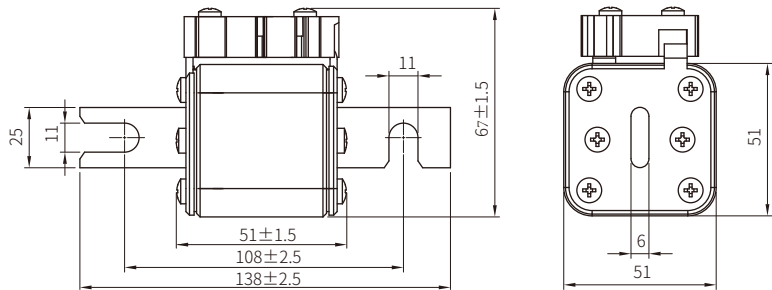


Rated Voltage	690V AC
Rated Current	100-630A
Protection Category	aR
Breaking Capacity	100kA
Reference Standard	GB/T 13539.4、IEC 60269-4
Certificates	CCC CE TUV

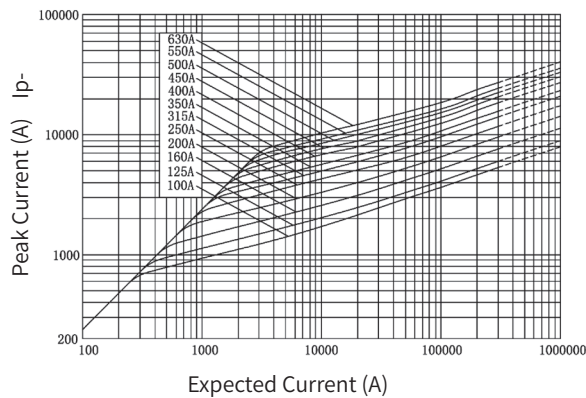
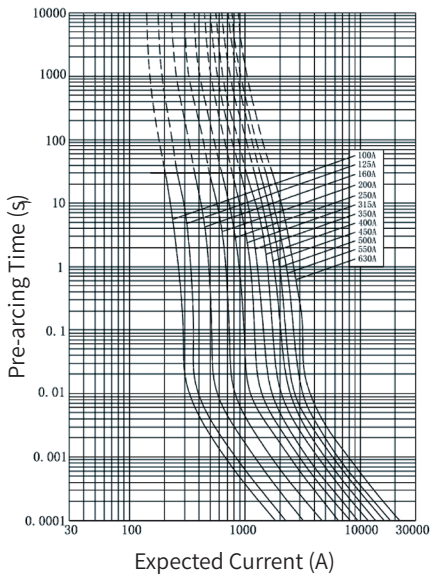
### Product parameter

Model No.	Size	Ue (V)	In (A)	I <sup>2</sup> t (A <sup>2</sup> S)		0.5In Power dissipation(W)	0.8In Power dissipation(W)	1.0In Power dissipation(W)	Weight (g)	Mounting
				Pre-Arcing	Fusing					
DNT1-J1N-100A/690V AC	1	690	100	860	7600	2	11	19	465±3%	M10 21±1N.m
DNT1-J1N-125A/690V AC	1		125	1250	12200	4	14	23		
DNT1-J1N-160A/690V AC	1		160	2600	22800	5	17	28		
DNT1-J1N-200A/690V AC	1		200	3600	31800	7	22	37		
DNT1-J1N-250A/690V AC	1		250	5900	54500	9	27	45		
DNT1-J1N-315A/690V AC	1		315	9500	85800	11	34	57		
DNT1-J1N-350A/690V AC	1		350	12500	118000	12	35	60		
DNT1-J1N-400A/690V AC	1		400	17700	175000	13	59	66		
DNT1-J1N-450A/690V AC	1		450	24750	242500	14	42	71		
DNT1-J1N-500A/690V AC	1		500	31800	312200	15	45	77		
DNT1-J1N-550A/690V AC	1		550	43400	425000	16	47	80		
DNT1-J1N-630A/690V AC	1		630	63900	653000	18	52	87		

### Overall dimensions (mm)



### Characteristic curve



# DNT1-J1R

## Fuse for Semiconductor Equipment Protection

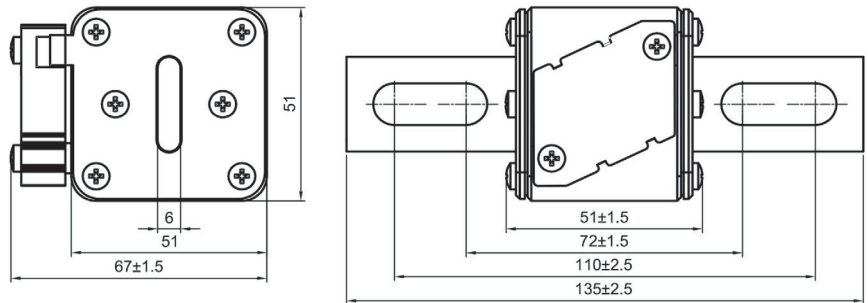


Rated Voltage	690V AC
Rated Current	100-630A
Protection Category	aR
Breaking Capacity	100kA
Reference Standard	GB/T 13539.4、IEC 60269-4
Certificates	CCC CE TUV

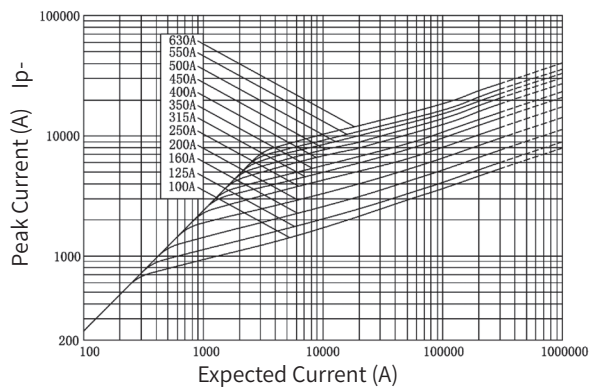
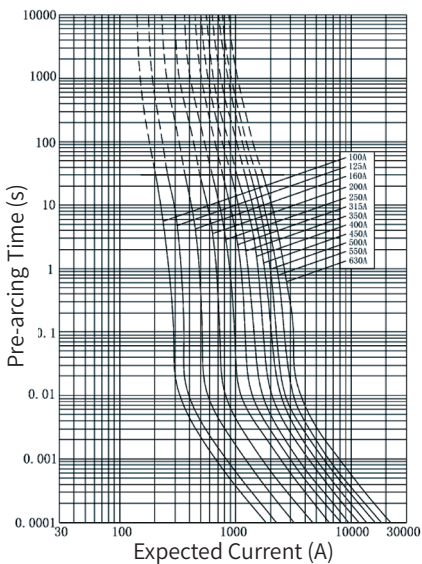
### Product parameter

Model No.	Size	Ue (V)	In (A)	I <sup>2</sup> t (A <sup>2</sup> S)		0.5In Power dissipation(W)	0.8In Power dissipation(W)	1.0In Power dissipation(W)	Weight (g)	Mounting
				Pre-Arcing	Fusing					
DNT1-J1R-100A/690V AC	1	690	100	860	7600	2	11	19	455±3%	M10 21±1N.m
DNT1-J1R-125A/690V AC	1		125	1250	12200	4	14	23		
DNT1-J1R-160A/690V AC	1		160	2600	22800	5	17	28		
DNT1-J1R-200A/690V AC	1		200	3600	31800	7	22	37		
DNT1-J1R-250A/690V AC	1		250	5900	54500	9	27	45		
DNT1-J1R-315A/690V AC	1		315	9500	85800	11	34	57		
DNT1-J1R-350A/690V AC	1		350	12500	118000	12	35	60		
DNT1-J1R-400A/690V AC	1		400	17700	175000	13	59	66		
DNT1-J1R-450A/690V AC	1		450	24750	242500	14	42	71		
DNT1-J1R-500A/690V AC	1		500	31800	312200	15	45	77		
DNT1-J1R-550A/690V AC	1		550	43400	425000	16	47	80		
DNT1-J1R-630A/690V AC	1		630	63900	653000	18	52	87		

### Overall dimensions (mm)



### Characteristic curve



# DNT1-J1L Fuse for Semiconductor Equipment Protection

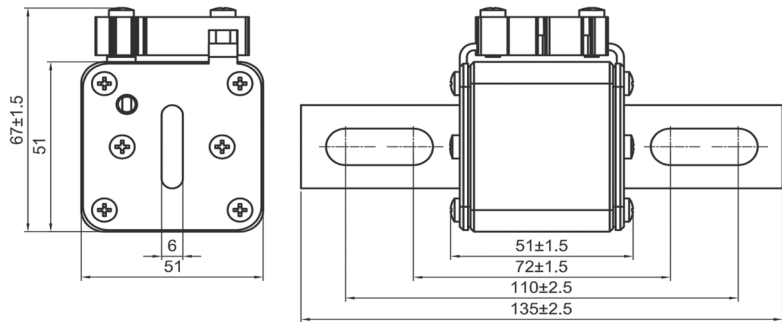


Rated Voltage	690V AC
Rated Current	100-630A
Protection Category	aR
Breaking Capacity	100kA
Reference Standard	GB/T 13539.4、IEC 60269-4
Certificates	CCC CE TUV

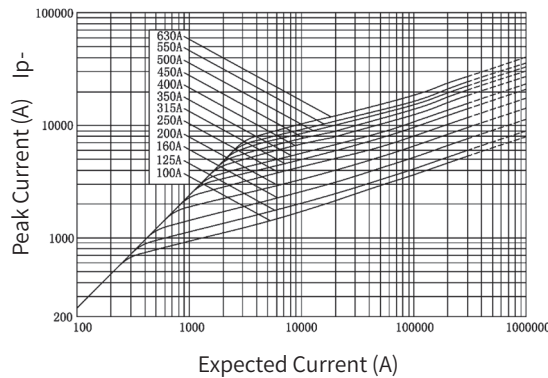
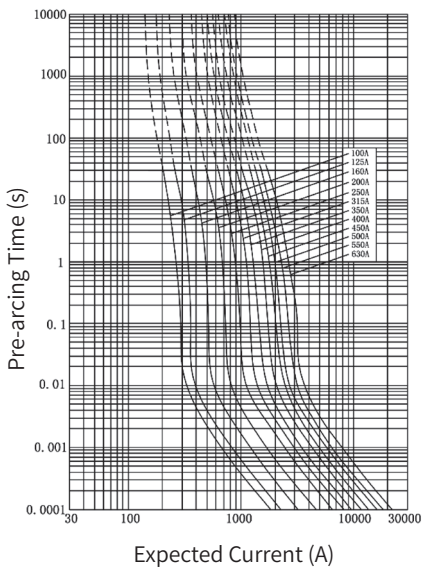
## Product parameter

Model No.	Size	Ue (V)	In (A)	I <sup>2</sup> t (A <sup>2</sup> S)		0.5In Power dissipation(W)	0.8In Power dissipation(W)	1.0In Power dissipation(W)	Weight (g)	Mounting
				Pre-Arcing	Fusing					
DNT1-J1L-100A/690V AC	1	690	100	860	7600	2	11	19	455±3%	M10 21±1N.m
DNT1-J1L-125A/690V AC	1		125	1250	12200	4	14	23		
DNT1-J1L-160A/690V AC	1		160	2600	22800	5	17	28		
DNT1-J1L-200A/690V AC	1		200	3600	31800	7	22	37		
DNT1-J1L-250A/690V AC	1		250	5900	54500	9	27	45		
DNT1-J1L-315A/690V AC	1		315	9500	85800	11	34	57		
DNT1-J1L-350A/690V AC	1		350	12500	118000	12	35	60		
DNT1-J1L-400A/690V AC	1		400	17700	175000	13	59	66		
DNT1-J1L-450A/690V AC	1		450	24750	242500	14	42	71		
DNT1-J1L-500A/690V AC	1		500	31800	312200	15	45	77		
DNT1-J1L-550A/690V AC	1		550	43400	425000	16	47	80		
DNT1-J1L-630A/690V AC	1		630	63900	653000	18	52	87		

## Overall dimensions (mm)



## Characteristic curve



# DNT2-J1J

## Fuse for Semiconductor Equipment Protection

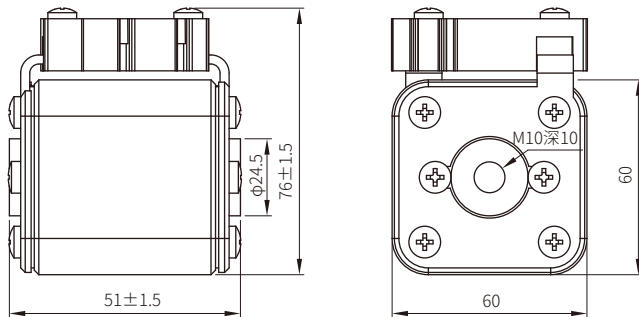


Rated Voltage	690V AC
Rated Current	350-800A
Protection Category	aR
Breaking Capacity	100kA
Reference Standard	GB/T 13539.4、IEC 60269-4
Certificates	CCC CE TUV

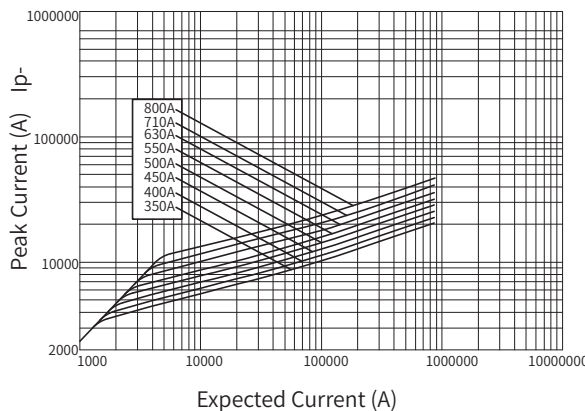
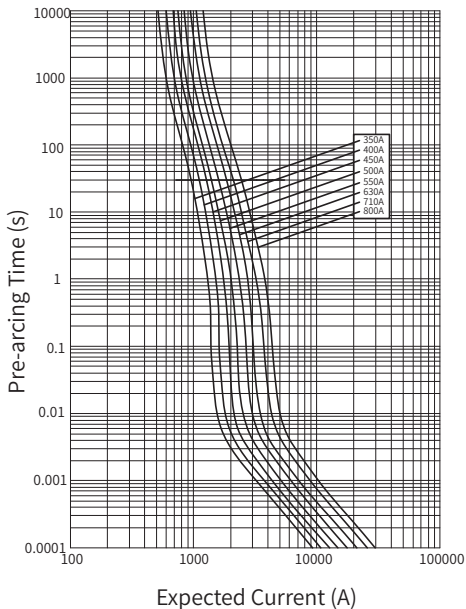
### Product parameter

Model No.	Size	Ue (V)	In (A)	I <sup>2</sup> t (A <sup>2</sup> S)		0.5In Power dissipation(W)	0.8In Power dissipation(W)	1.0In Power dissipation(W)	Weight (g)	Mounting
				Pre-Arcing	Fusing					
DNT2-J1J-350A/690V AC	2	690	350	860	7600	11	35	60	588±3%	M10 21±1N.m
DNT2-J1J-400A/690V AC	2		400	14800	104200	12	38	64		
DNT2-J1J-450A/690V AC	2		450	19400	134000	13	41	71		
DNT2-J1J-500A/690V AC	2		500	26200	185000	14	43	75		
DNT2-J1J-550A/690V AC	2		550	34500	240000	15	48	80		
DNT2-J1J-630A/690V AC	2		630	48600	341000	17	53	89		
DNT2-J1J-710A/690V AC	2		710	65200	455000	18	55	93		
DNT2-J1J-800A/690V AC	2		800	91000	636000	20	61	103		

### Overall dimensions (mm)



### Characteristic curve



### Usage and Maintenance

1. Installation, the size of the screw into the column does not exceed 10 mm ( recommended 9mm )
2. When tightening the nut, keep the nut can't rotate ;
3. It is recommended to use a stud installation, there is no recommended torque when the stud is screwed in, which is 1mm below the depth of the thread ;
4. The nut tightening torque is 10±1N.m.



# DNT2-J1N

## Fuse for Semiconductor Equipment Protection

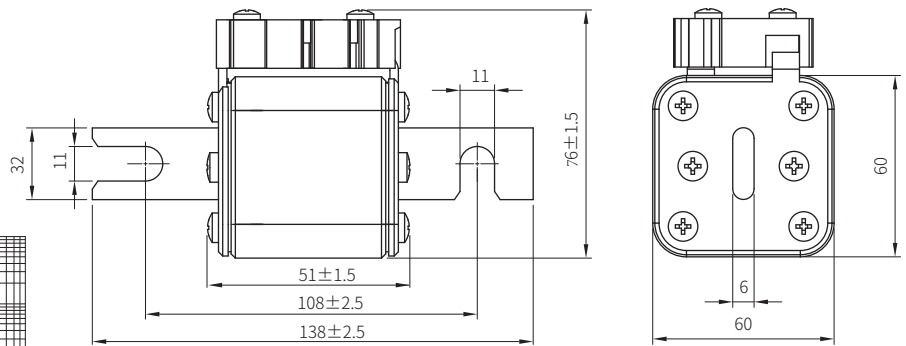


Rated Voltage	690V AC
Rated Current	350-800A
Protection Category	aR
Breaking Capacity	100kA
Reference Standard	GB/T 13539.4、IEC 60269-4
Certificates	CCC CE TUV

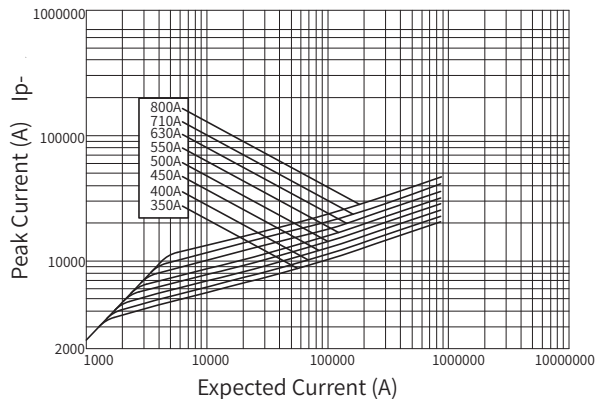
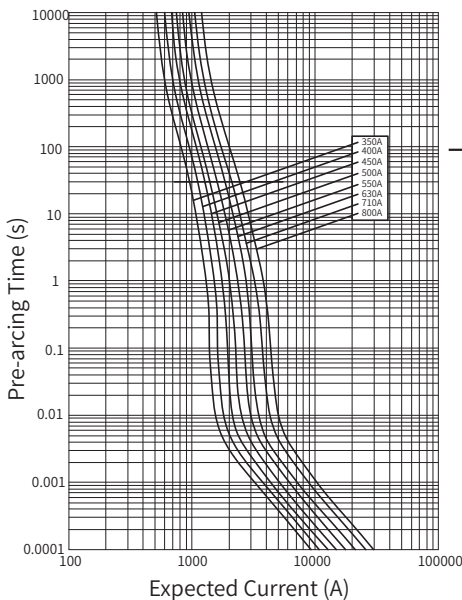
### Product parameter

Model No.	Size	Ue (V)	In (A)	I <sup>2</sup> t (A <sup>2</sup> s)		0.5In Power dissipation(W)	0.8In Power dissipation(W)	1.0In Power dissipation(W)	Weight (g)	Mounting
				Pre-Arcing	Fusing					
DNT2-J1N-350A/690V AC	2	690	350	860	7600	11	35	60	625±3%	M10 21±1N.m
DNT2-J1N-400A/690V AC	2		400	14800	104200	12	38	64		
DNT2-J1N-450A/690V AC	2		450	19400	134000	13	41	71		
DNT2-J1N-500A/690V AC	2		500	26200	185000	14	43	75		
DNT2-J1N-550A/690V AC	2		550	34500	240000	15	48	80		
DNT2-J1N-630A/690V AC	2		630	48600	341000	17	53	89		
DNT2-J1N-710A/690V AC	2		710	65200	455000	18	55	93		
DNT2-J1N-800A/690V AC	2		800	91000	636000	20	61	103		

### Overall dimensions (mm)



### Characteristic curve



# DNT2-J1R

## Fuse for Semiconductor Equipment Protection

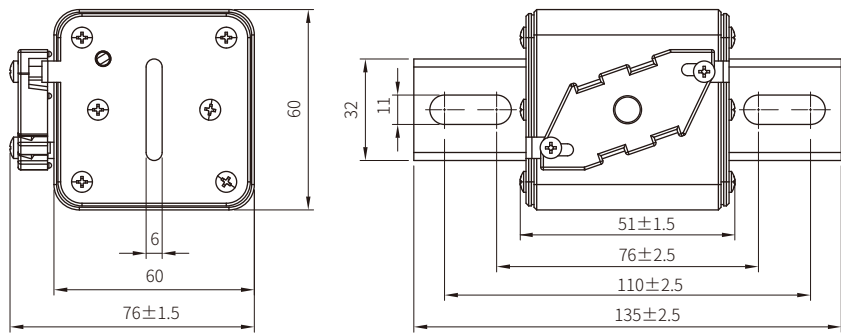


Rated Voltage	690V AC
Rated Current	350~800A
Protection Category	aR
Breaking Capacity	100kA
Reference Standard	GB/T 13539.4、IEC 60269-4
Certificates	CCC CE TUV

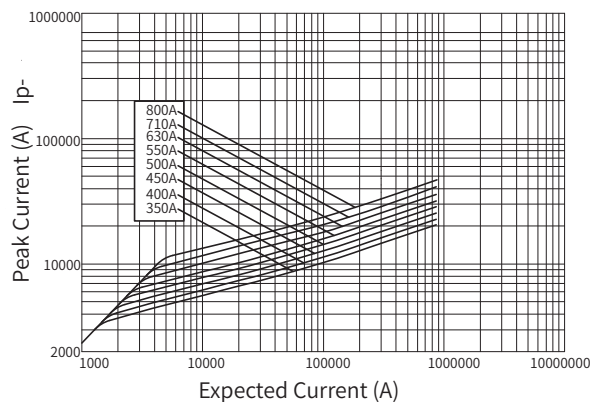
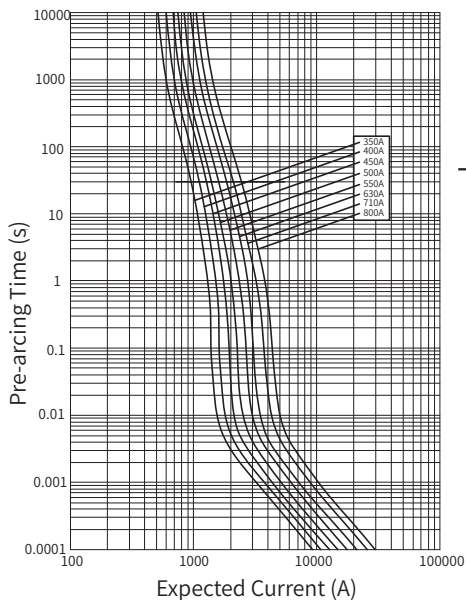
### Product parameter

Model No.	Size	Ue (V)	In (A)	I <sup>2</sup> t (A <sup>2</sup> s)		0.5In Power dissipation(W)	0.8In Power dissipation(W)	1.0In Power dissipation(W)	Weight (g)	Mounting
				Pre-Arcing	Fusing					
DNT2-J1R-350A/690V AC	2	690	350	860	7600	11	35	60	625±3%	M10 21±1N.m
DNT2-J1R-400A/690V AC	2		400	14800	104200	12	38	64		
DNT2-J1R-450A/690V AC	2		450	19400	134000	13	41	71		
DNT2-J1R-500A/690V AC	2		500	26200	185000	14	43	75		
DNT2-J1R-550A/690V AC	2		550	34500	240000	15	48	80		
DNT2-J1R-630A/690V AC	2		630	48600	341000	17	53	89		
DNT2-J1R-710A/690V AC	2		710	65200	455000	18	55	93		
DNT2-J1R-800A/690V AC	2		800	91000	636000	20	61	103		

### Overall dimensions (mm)



### Characteristic curve



# DNT2-J1L Fuse for Semiconductor Equipment Protection

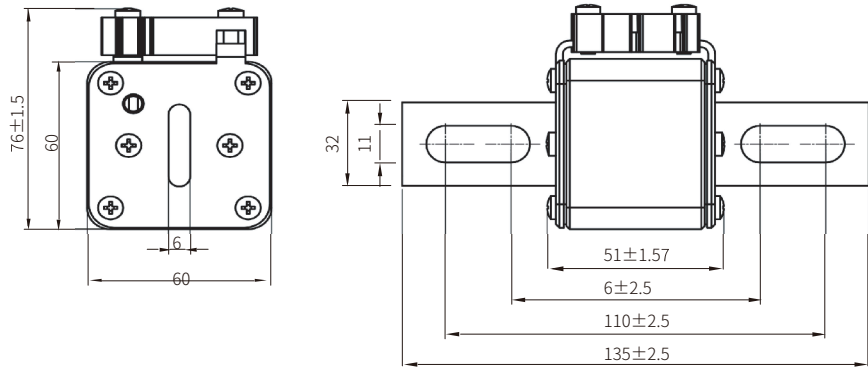


Rated Voltage	690V AC
Rated Current	350-800A
Protection Category	aR
Breaking Capacity	100kA
Reference Standard	GB/T 13539.4、IEC 60269-4
Certificates	CCC CE TUV

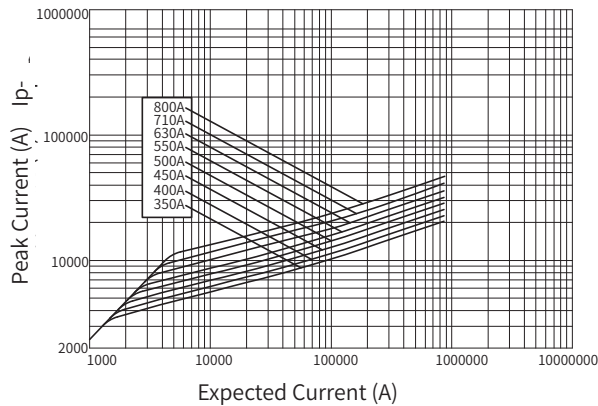
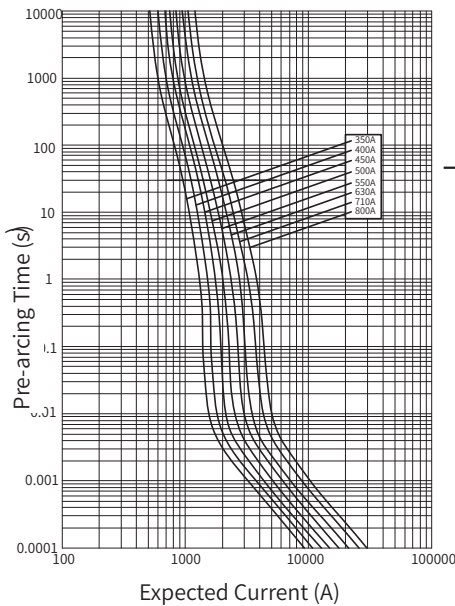
## Product parameter

Model No.	Size	Ue (V)	In (A)	I <sup>2</sup> t (A <sup>2</sup> S)		0.5In Power dissipation(W)	0.8In Power dissipation(W)	1.0In Power dissipation(W)	Weight (g)	Mounting
				Pre-Arcing	Fusing					
DNT2-J1L-350A/690V AC	2	690	350	860	7600	11	35	60	625±3%	M10 21±1N.m
DNT2-J1L-400A/690V AC	2		400	14800	104200	12	38	64		
DNT2-J1L-450A/690V AC	2		450	19400	134000	13	41	71		
DNT2-J1L-500A/690V AC	2		500	26200	185000	14	43	75		
DNT2-J1L-550A/690V AC	2		550	34500	240000	15	48	80		
DNT2-J1L-630A/690V AC	2		630	48600	341000	17	53	89		
DNT2-J1L-710A/690V AC	2		710	65200	455000	18	55	93		
DNT2-J1L-800A/690V AC	2		800	91000	636000	20	61	103		

## Overall dimensions (mm)



## Characteristic curve



# DNT3-J1J

## Fuse for Semiconductor Equipment Protection

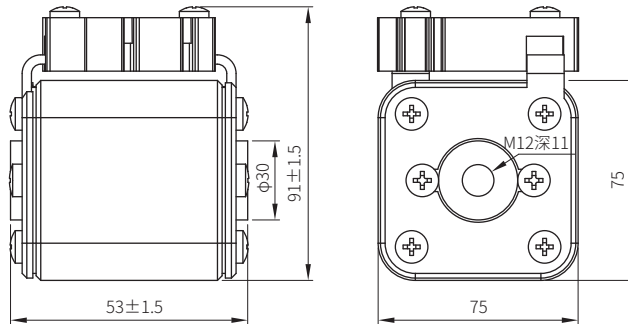


Rated Voltage	690V AC
Rated Current	500-1250A
Protection Category	aR
Breaking Capacity	100kA
Reference Standard	GB/T 13539.4、IEC 60269-4
Certificates	CCC CE TUV

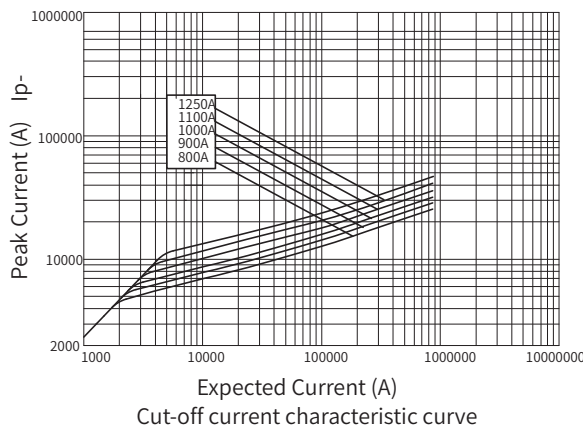
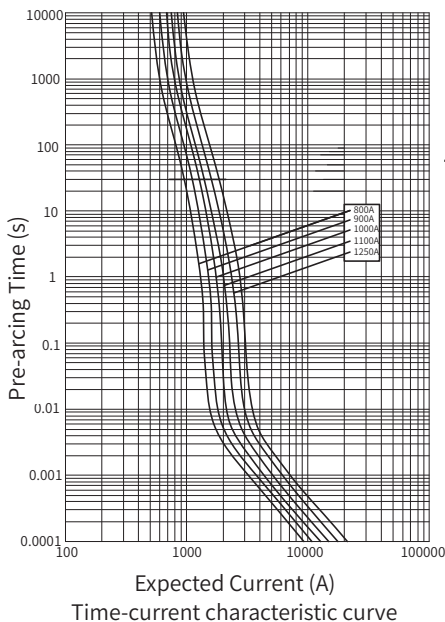
### Product parameter

Model No.	Size	Ue (V)	In (A)	I <sup>2</sup> t (A <sup>2</sup> S)		0.5In Power dissipation(W)	0.8In Power dissipation(W)	1.0In Power dissipation(W)	Weight (g)	Mounting
				Pre-Arcing	Fusing					
DNT3-J1J-500A/690V AC	3	690	500	22000	180000	16	49	82	880±3%	M12 38±1N.m
DNT3-J1J-550A/690V AC	3		550	27000	180000	19	56	94		
DNT3-J1J-630A/690V AC	3		630	37600	307000	21	63	105		
DNT3-J1J-710A/690V AC	3		710	49500	403000	23	69	115		
DNT3-J1J-800A/690V AC	3		800	68800	561500	25	76	129		
DNT3-J1J-900A/690V AC	3		900	95000	773000	26	82	139		
DNT3-J1J-1000A/690V AC	3		1000	125000	1022000	28	88	149		
DNT3-J1J-1100A/690V AC	3		1100	174100	1131000	35	108	183		
DNT3-J1J-1250A/690V AC	3		1250	248100	1600000	36	112	190		

### Overall dimensions (mm)



### Characteristic curve



### Usage and Maintenance

1. Installation, the size of the screw into the column does not exceed 11 mm ( recommended 10mm )
2. When tightening the nut, keep the nut can't rotate ;
3. It is recommended to use a stud installation, there is no recommended torque when the stud is screwed in, which is 1mm below the depth of the thread ;
4. The nut tightening torque is 38±1N.m.

# DNT3-J1N

## Fuse for Semiconductor Equipment Protection

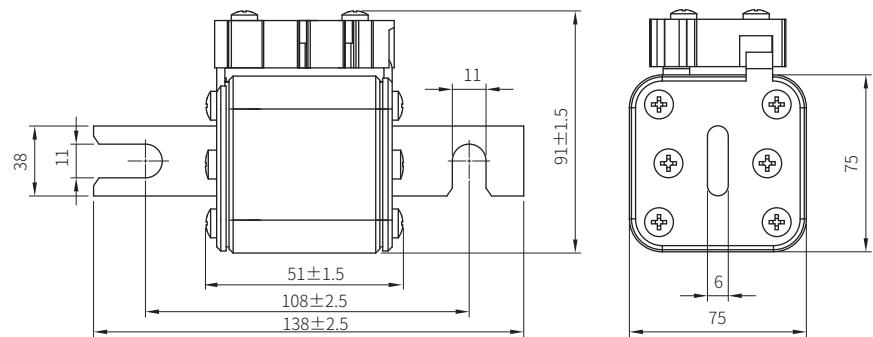


Rated Voltage	690V AC
Rated Current	500-1250A
Protection Category	aR
Breaking Capacity	100kA
Reference Standard	GB/T 13539.4、IEC 60269-4
Certificates	CCC CE TUV

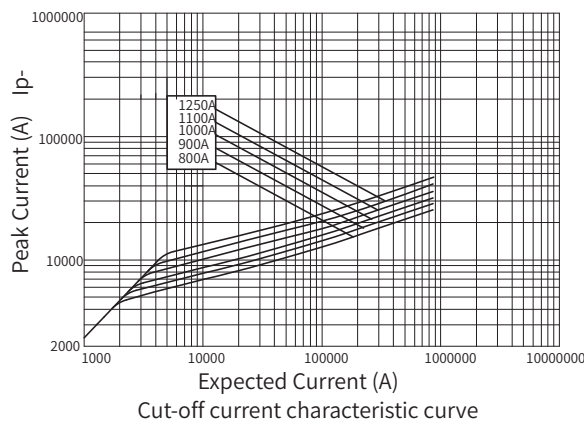
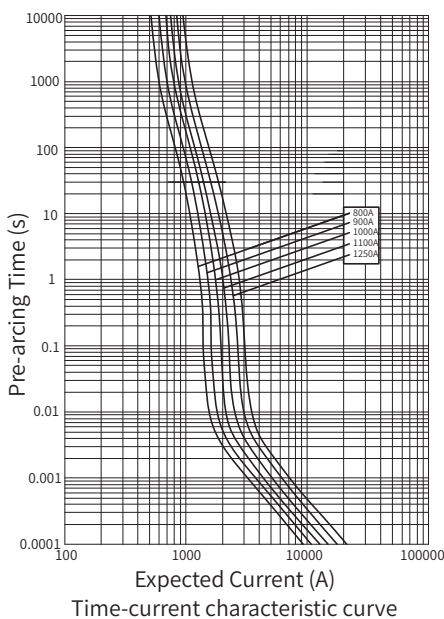
### Product parameter

Model No.	Size	Ue (V)	In (A)	I <sup>2</sup> t (A <sup>2</sup> S)		0.5In Power dissipation(W)	0.8In Power dissipation(W)	1.0In Power dissipation(W)	Weight (g)	Mounting
				Pre-Arcing	Fusing					
DNT3-J1N-500A/690V AC	3	690	500	22000	180000	16	49	82	930±3%	M10 21±1N.m
DNT3-J1N-550A/690V AC	3		550	27000	180000	19	56	94		
DNT3-J1N-630A/690V AC	3		630	37600	307000	21	63	105		
DNT3-J1N-710A/690V AC	3		710	49500	403000	23	69	115		
DNT3-J1N-800A/690V AC	3		800	68800	561500	25	76	129		
DNT3-J1N-900A/690V AC	3		900	95000	773000	26	82	139		
DNT3-J1N-1000A/690V AC	3		1000	125000	1022000	28	88	149		
DNT3-J1N-1100A/690V AC	3		1100	174100	1131000	35	108	183		
DNT3-J1N-1250A/690V AC	3		1250	248100	1600000	36	112	190		

### Overall dimensions (mm)



### Characteristic curve





# DNT3-J1R

## Fuse for Semiconductor Equipment Protection

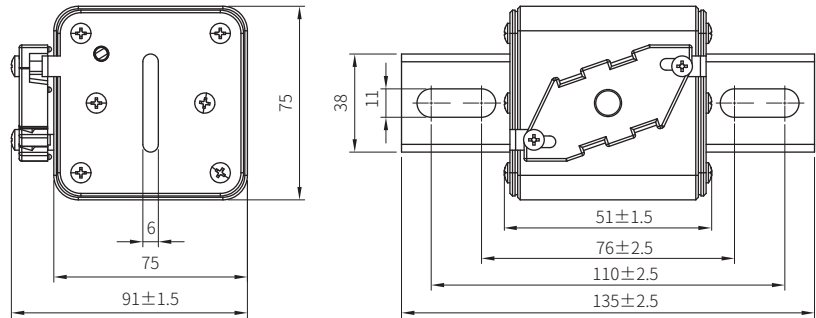


Rated Voltage	690V AC
Rated Current	500-1250A
Protection Category	aR
Breaking Capacity	100kA
Reference Standard	GB/T 13539.4、IEC 60269-4
Certificates	CCC CE TUV

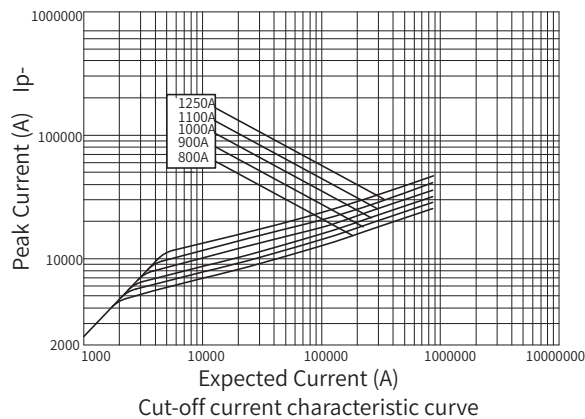
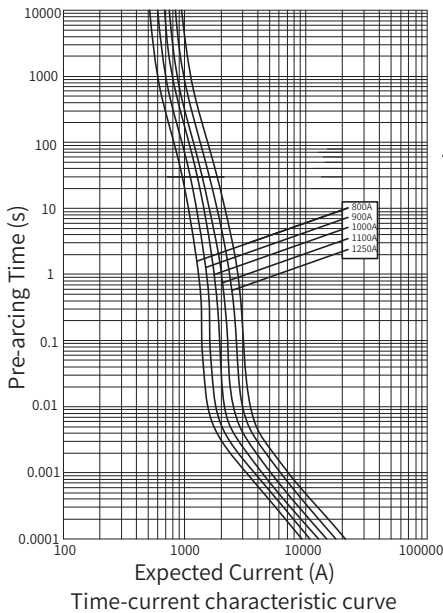
### Product parameter

Model No.	Size	Ue (V)	In (A)	I <sup>2</sup> t (A <sup>2</sup> S)		0.5In Power dissipation(W)	0.8In Power dissipation(W)	1.0In Power dissipation(W)	Weight (g)	Mounting
				Pre-Arcing	Fusing					
DNT3-J1R-500A/690V AC	3	690	500	22000	180000	16	49	82	930±3%	M10 21±1N.m
DNT3-J1R-550A/690V AC	3		550	27000	180000	19	56	94		
DNT3-J1R-630A/690V AC	3		630	37600	307000	21	63	105		
DNT3-J1R-710A/690V AC	3		710	49500	403000	23	69	115		
DNT3-J1R-800A/690V AC	3		800	68800	561500	25	76	129		
DNT3-J1R-900A/690V AC	3		900	95000	773000	26	82	139		
DNT3-J1R-1000A/690V AC	3		1000	125000	1022000	28	88	149		
DNT3-J1R-1100A/690V AC	3		1100	174100	1131000	35	108	183		
DNT3-J1R-1250A/690V AC	3		1250	248100	1600000	36	112	190		

### Overall dimensions (mm)



### Characteristic curve



# DNT3-J1L

## Fuse for Semiconductor Equipment Protection

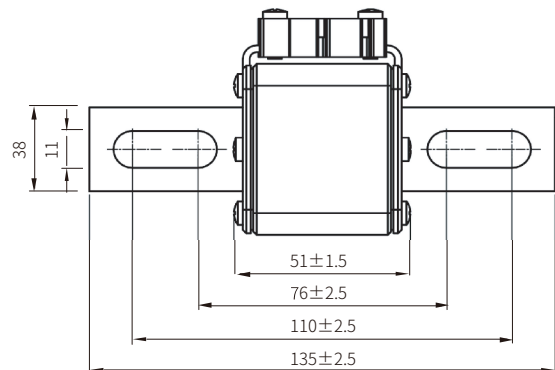
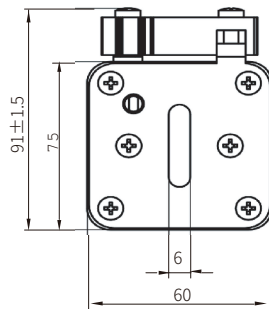


Rated Voltage	690V AC
Rated Current	500-1250A
Protection Category	aR
Breaking Capacity	100kA
Reference Standard	GB/T 13539.4、IEC 60269-4
Certificates	CCC CE TUV

### Product parameter

Model No.	Size	Ue (V)	In (A)	I <sup>2</sup> t (A <sup>2</sup> S)		0.5In Power dissipation(W)	0.8In Power dissipation(W)	1.0In Power dissipation(W)	Weight (g)	Mounting
				Pre-Arcing	Fusing					
DNT3-J1L-500A/690V AC	3	690	500	22000	180000	16	49	82	930±3%	M10 21±1N.m
DNT3-J1L-550A/690V AC	3		550	27000	180000	19	56	94		
DNT3-J1L-630A/690V AC	3		630	37600	307000	21	63	105		
DNT3-J1L-710A/690V AC	3		710	49500	403000	23	69	115		
DNT3-J1L-800A/690V AC	3		800	68800	561500	25	76	129		
DNT3-J1L-900A/690V AC	3		900	95000	773000	26	82	139		
DNT3-J1L-1000A/690V AC	3		1000	125000	1022000	28	88	149		
DNT3-J1L-1100A/690V AC	3		1100	174100	1131000	35	108	183		
DNT3-J1L-1250A/690V AC	3		1250	248100	1600000	36	112	190		

### Overall dimensions (mm)



### Characteristic curve

