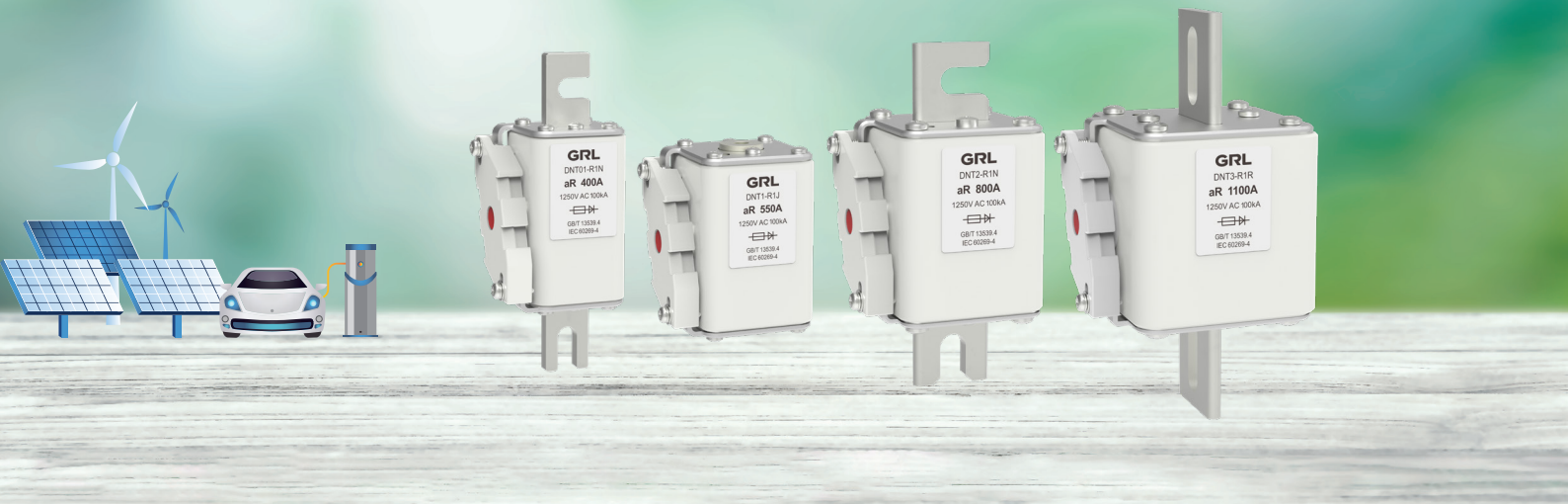


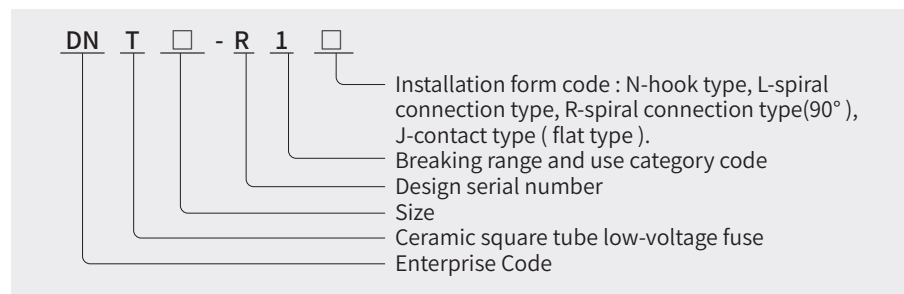
DNT□-R1□ Fuse for Semiconductor Equipment Protection



Product Description

This series of fuses for semiconductor equipment protection have the characteristics of strong current limiting ability and high breaking ability. It is suitable for rail transit, electric vehicle new energy power station, communication and power industry. It can be used as short-circuit current and overload current protection for power system, energy storage system, inverter, semiconductor equipment components and equipment.

Model and meaning



Normal working conditions

1. Ambient air temperature: the ambient air temperature does not exceed 40 °C, the average value measured in 24 hours does not exceed 35 °C, and the average value measured within one year is lower than this value. The minimum ambient air temperature is -5°C.
2. Altitude: The altitude of the installation site shall not exceed 2000m.
3. Atmospheric conditions: the air is clean, and its relative humidity does not exceed 50% at the maximum temperature of 40 °C, and can have higher relative humidity at lower temperatures, for example, at 20 °C, the relative humidity can reach 90%. Under these conditions, moderate condensation may occasionally occur due to temperature changes.

Ordering Instructions

When placing an order, the user shall provide the following information:
The fuse for the protection of DNT series semiconductor equipment should explain the specification model, rated current, rated voltage and quantity.

For example:

DNT01-R1N-250A/1250V AC 10只

DNT01-R1J

Fuse for Semiconductor Equipment Protection

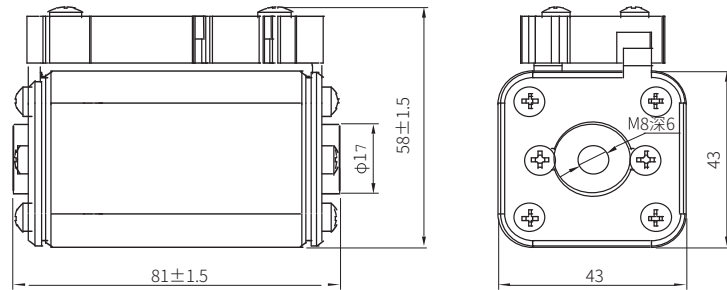


Rated Voltage	1250V AC
Rated Current	50~400A
Protection Category	aR
Breaking Capacity	100kA
Reference Standards	GB/T 13539.4 IEC 60269-4

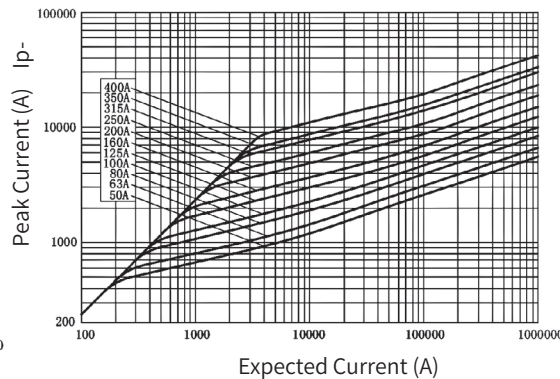
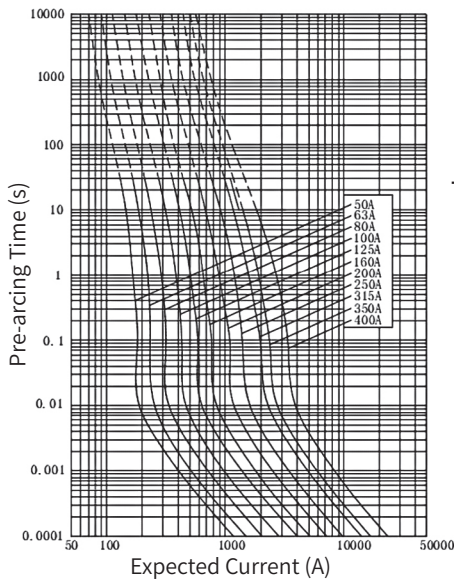
Product parameter

Model No.	Size	I _n (A)	I ² t (A ² S)		0.5I _n Power dissipation(W)	0.8I _n Power dissipation(W)	1.0I _n Power dissipation(W)	Weight (g)	Mounting
			Pre-Arcing	Fusing					
DNT01-R1J-50A/1250V AC	01	50	135	1100	4	8	14	450±3%	M8 10±1N.m
DNT01-R1J-63A/1250V AC	01	63	215	1750	6	11	20		
DNT01-R1J-80A/1250V AC	01	80	420	3350	8	14	25		
DNT01-R1J-100A/1250V AC	01	100	750	5950	10	17	30		
DNT01-R1J-125A/1250V AC	01	125	1450	9600	12	21	38		
DNT01-R1J-160A/1250V AC	01	160	2690	17850	15	27	49		
DNT01-R1J-200A/1250V AC	01	200	5090	33700	17	31	57		
DNT01-R1J-250A/1250V AC	01	250	9000	59900	20	36	65		
DNT01-R1J-315A/1250V AC	01	315	18200	125000	22	40	74		
DNT01-R1J-350A/1250V AC	01	350	24200	161000	24	43	79		
DNT01-R1J-400A/1250V AC	01	400	33000	218000	26	48	88		

Overall dimensions (mm)



Characteristic curve



Usage and Maintenance

1. Installation, the size of the screw into the column does not exceed 6mm (recommended 5mm)
2. When tightening the nut, keep the nut can't rotate;
3. It is recommended to use a stud installation, there is no recommended torque when the stud is screwed in, which is 1mm below the depth of the thread;
4. The nut tightening torque is 10±1N.m.

DNT01-R1N

Fuse for Semiconductor Equipment Protection

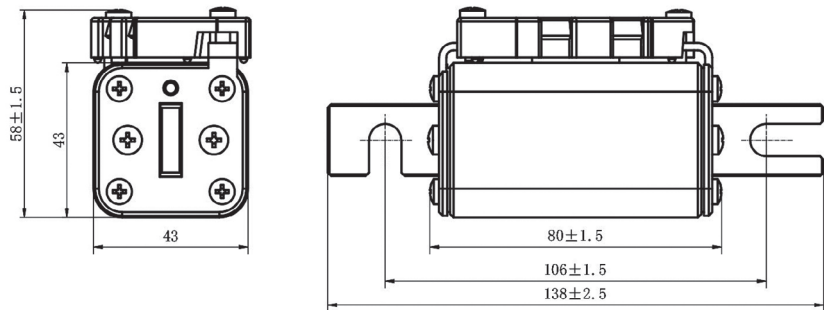


Rated Voltage	1250V AC
Rated Current	50~400A
Protection Category	aR
Breaking Capacity	100kA
Reference Standards	GB/T 13539.4 IEC 60269-4

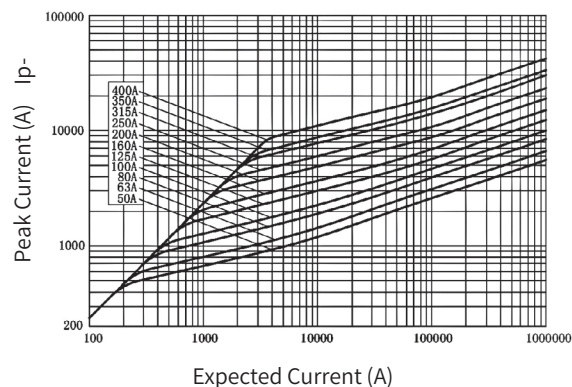
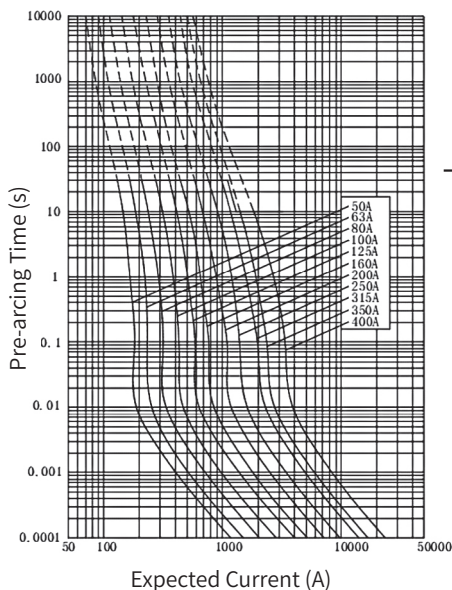
Product parameter

Model No.	Size	In (A)	I ² t (A ² S)		0.5In Power dissipation(W)	0.8In Power dissipation(W)	1.0In Power dissipation(W)	Weight (g)	Mounting
			Pre-Arcing	Fusing					
DNT01-R1N-50A/1250V AC	01	50	135	1100	4	8	14	473±3%	M8 11±1N.m
DNT01-R1N-63A/1250V AC	01	63	215	1750	6	11	20		
DNT01-R1N-80A/1250V AC	01	80	420	3350	8	14	25		
DNT01-R1N-100A/1250V AC	01	100	750	5950	10	17	30		
DNT01-R1N-125A/1250V AC	01	125	1450	9600	12	21	38		
DNT01-R1N-160A/1250V AC	01	160	2690	17850	15	27	49		
DNT01-R1N-200A/1250V AC	01	200	5090	33700	17	31	57		
DNT01-R1N-250A/1250V AC	01	250	9000	59900	20	36	65		
DNT01-R1N-315A/1250V AC	01	315	18200	125000	22	40	74		
DNT01-R1N-350A/1250V AC	01	350	24200	161000	24	43	79		
DNT01-R1N-400A/1250V AC	01	400	33000	218000	26	48	88		

Overall dimensions (mm)



Characteristic curve



DNT1-R1J

Fuse for Semiconductor Equipment Protection

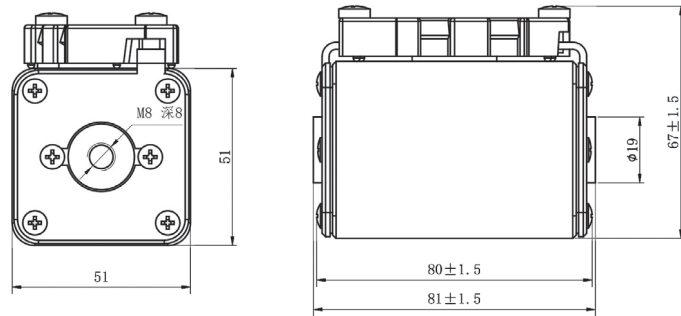


Rated Voltage	1250V AC
Rated Current	160~550A
Protection Category	aR
Breaking Capacity	100kA
Reference Standards	GB/T 13539.4 IEC 60269-4

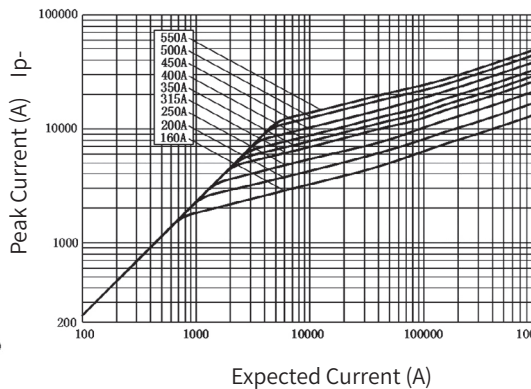
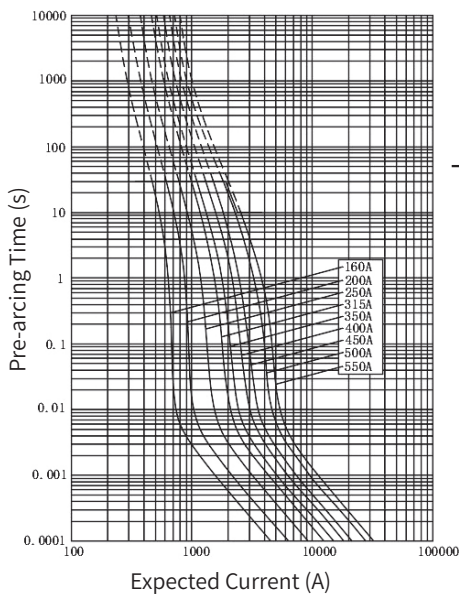
Product parameter

Model No.	Size	In (A)	I ² t (A ² S)		0.5In Power dissipation(W)	0.8In Power dissipation(W)	1.0In Power dissipation(W)	Weight (g)	Mounting
			Pre-Arcing	Fusing					
DNT1-R1J-160A/1250V AC	1	160	5000	16500	16	28	52	673±3%	M8 10±1N.m
DNT1-R1J-200A/1250V AC	1	200	8500	27500	19	34	62		
DNT1-R1J-250A/1250V AC	1	250	16000	53000	22	39	72		
DNT1-R1J-315A/1250V AC	1	315	28500	93500	25	46	84		
DNT1-R1J-350A/1250V AC	1	350	38500	127500	27	49	89		
DNT1-R1J-400A/1250V AC	1	400	57000	188000	28.5	52	95		
DNT1-R1J-450A/1250V AC	1	450	78500	260000	31	56	103		
DNT1-R1J-500A/1250V AC	1	500	110000	363000	33	59	109		
DNT1-R1J-550A/1250V AC	1	550	145000	480000	35	63	116		

Overall dimensions (mm)



Characteristic curve



Usage and Maintenance

1. Installation, the size of the screw into the column does not exceed 8mm (recommended 7mm)
2. When tightening the nut, keep the nut can't rotate;
3. It is recommended to use a stud installation, there is no recommended torque when the stud is screwed in, which is 1mm below the depth of the thread;
4. The nut tightening torque is 10±1N.m.

DNT1-R1N Fuse for Semiconductor Equipment Protection

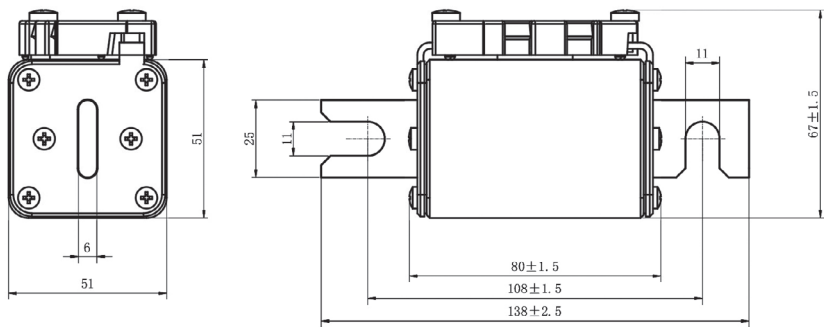


Rated Voltage	1250V AC
Rated Current	160~550A
Protection Category	aR
Breaking Capacity	100kA
Reference Standards	GB/T 13539.4 IEC 60269-4

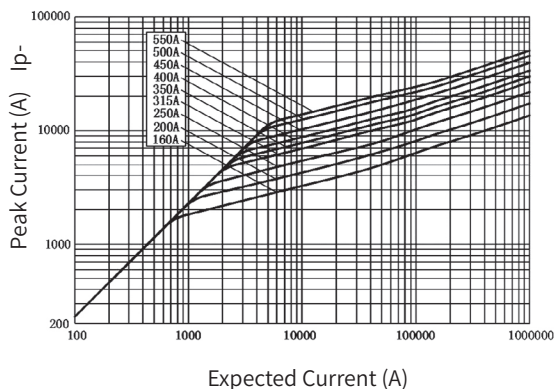
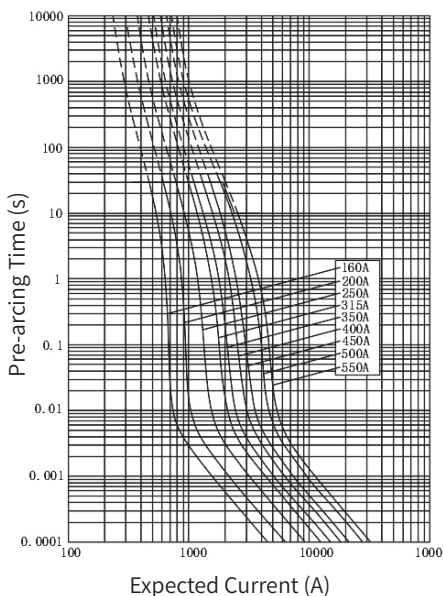
Product parameter

Model No.	Size	I _n (A)	I ² t (A ² S)		0.5I _n Power dissipation(W)	0.8I _n Power dissipation(W)	1.0I _n Power dissipation(W)	Weight (g)	Mounting
			Pre-Arcing	Fusing					
DNT1-R1N-160A/1250V AC	1	160	5000	16500	16	28	52	691±3%	M10 21±1N.m
DNT1-R1N-200A/1250V AC	1	200	8500	27500	19	34	62		
DNT1-R1N-250A/1250V AC	1	250	16000	53000	22	39	72		
DNT1-R1N-315A/1250V AC	1	315	28500	93500	25	46	84		
DNT1-R1N-350A/1250V AC	1	350	38500	127500	27	49	89		
DNT1-R1N-400A/1250V AC	1	400	57000	188000	28.5	52	95		
DNT1-R1N-450A/1250V AC	1	450	78500	260000	31	56	103		
DNT1-R1N-500A/1250V AC	1	500	110000	363000	33	59	109		
DNT1-R1N-550A/1250V AC	1	550	145000	480000	35	63	116		

Overall dimensions (mm)



Characteristic curve



DNT1-R1R

Fuse for Semiconductor Equipment Protection

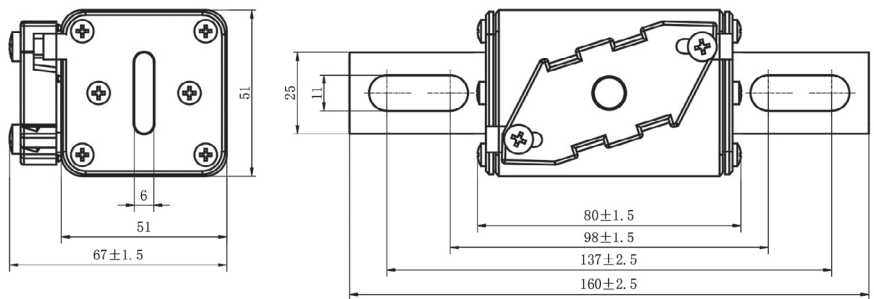


Rated Voltage	1250V AC
Rated Current	160~550A
Protection Category	aR
Breaking Capacity	100kA
Reference Standards	GB/T 13539.4 IEC 60269-4

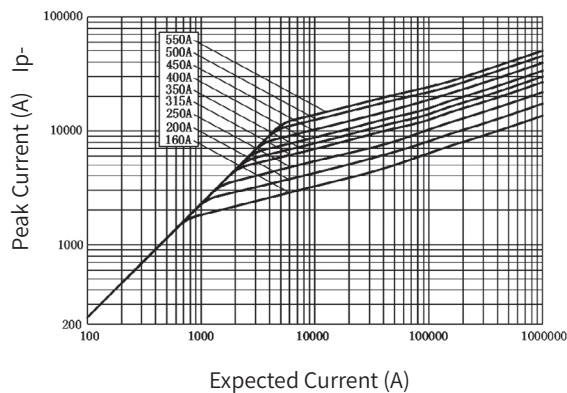
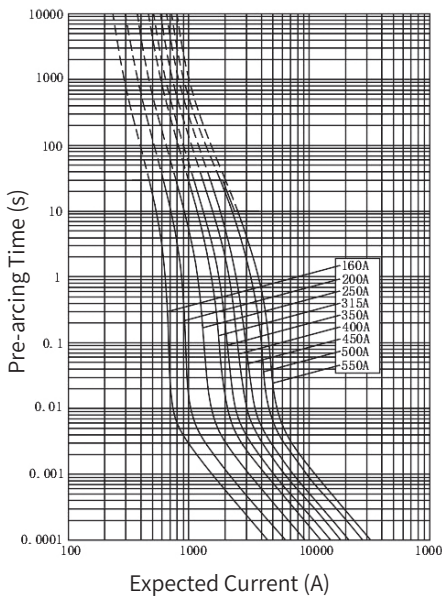
Product parameter

Model No.	Size	In (A)	I ² t (A ² S)		0.5In Power dissipation(W)	0.8In Power dissipation(W)	1.0In Power dissipation(W)	Weight (g)	Mounting
			Pre-Arcing	Fusing					
DNT1-R1R-160A/1250V AC	1	160	5000	16500	16	28	52	711±3%	M10 21±1N.m
DNT1-R1R-200A/1250V AC	1	200	8500	27500	19	34	62		
DNT1-R1R-250A/1250V AC	1	250	16000	53000	22	39	72		
DNT1-R1R-315A/1250V AC	1	315	28500	93500	25	46	84		
DNT1-R1R-350A/1250V AC	1	350	38500	127500	27	49	89		
DNT1-R1R-400A/1250V AC	1	400	57000	188000	28.5	52	95		
DNT1-R1R-450A/1250V AC	1	450	78500	260000	31	56	103		
DNT1-R1R-500A/1250V AC	1	500	110000	363000	33	59	109		
DNT1-R1R-550A/1250V AC	1	550	145000	480000	35	63	116		

Overall dimensions (mm)



Characteristic curve



DNT1-R1L

Fuse for Semiconductor Equipment Protection

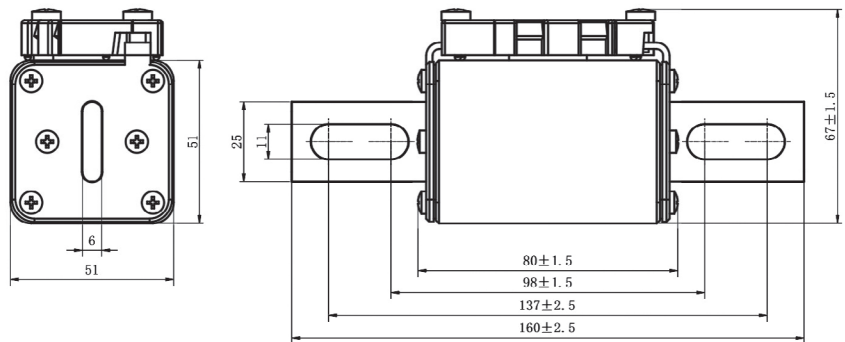


Rated Voltage	1250V AC
Rated Current	160~550A
Protection Category	aR
Breaking Capacity	100kA
Reference Standards	GB/T 13539.4 IEC 60269-4

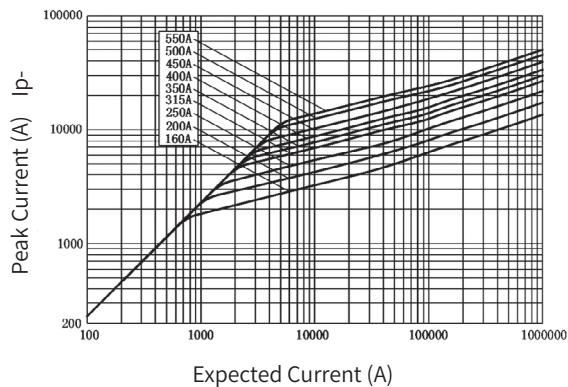
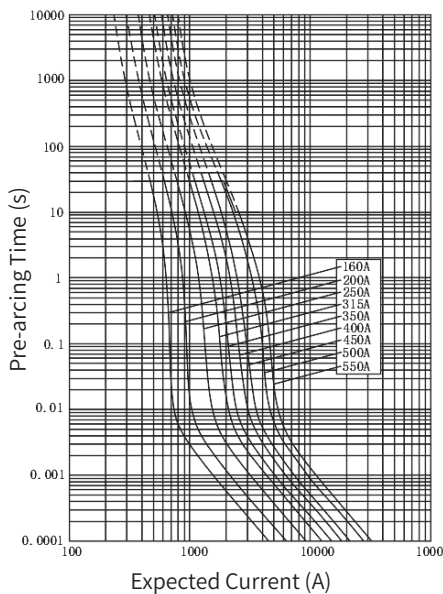
Product parameter

Model No.	Size	I _n (A)	I ² t (A ² S)		0.5I _n Power dissipation(W)	0.8I _n Power dissipation(W)	1.0I _n Power dissipation(W)	Weight (g)	Mounting
			Pre-Arcing	Fusing					
DNT1-R1L-160A/1250V AC	1	160	5000	16500	16	28	52	711±3%	M10 21±1N.m
DNT1-R1L-200A/1250V AC	1	200	8500	27500	19	34	62		
DNT1-R1L-250A/1250V AC	1	250	16000	53000	22	39	72		
DNT1-R1L-315A/1250V AC	1	315	28500	93500	25	46	84		
DNT1-R1L-350A/1250V AC	1	350	38500	127500	27	49	89		
DNT1-R1L-400A/1250V AC	1	400	57000	188000	28.5	52	95		
DNT1-R1L-450A/1250V AC	1	450	78500	260000	31	56	103		
DNT1-R1L-500A/1250V AC	1	500	110000	363000	33	59	109		
DNT1-R1L-550A/1250V AC	1	550	145000	480000	35	63	116		

Overall dimensions (mm)



Characteristic curve



DNT2-R1J

Fuse for Semiconductor Equipment Protection

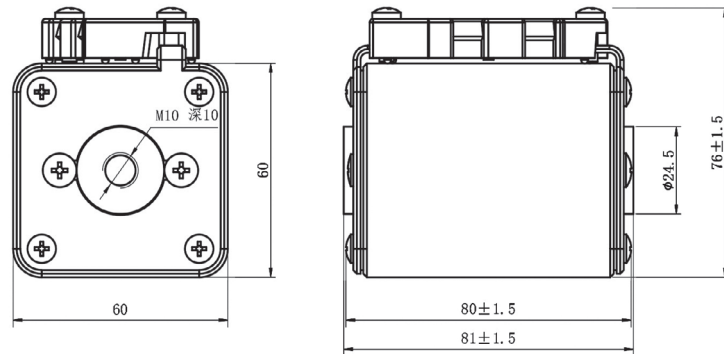


Rated Voltage	1250V AC
Rated Current	250~800A
Protection Category	aR
Breaking Capacity	100kA
Reference Standards	GB/T 13539.4 IEC 60269-4

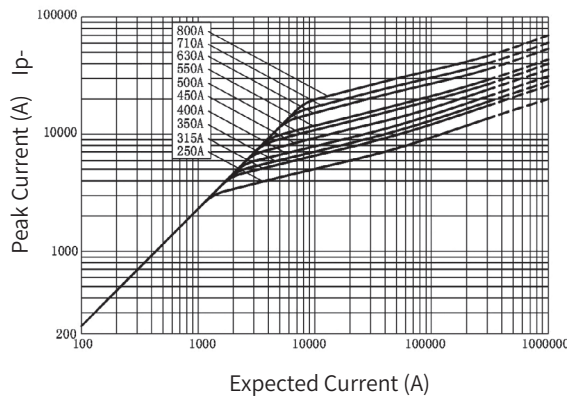
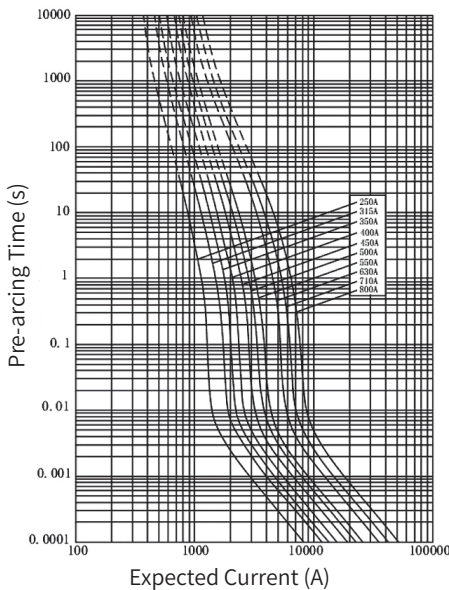
Product parameter

Model No.	Size	In (A)	I ² t (A ² S)		0.5In Power dissipation(W)	0.8In Power dissipation(W)	1.0In Power dissipation(W)	Weight (g)	Mounting
			Pre-Arcing	Fusing					
DNT2-R1J-250A/1250V AC	2	250	11000	52000	24	44	80	910±3%	M10 21±1N.m
DNT2-R1J-315A/1250V AC	2	315	20000	94000	29	52	96		
DNT2-R1J-350A/1250V AC	2	350	26000	122000	31	56	104		
DNT2-R1J-400A/1250V AC	2	400	37000	174000	34	61	113		
DNT2-R1J-450A/1250V AC	2	450	53000	248000	36	66	122		
DNT2-R1J-500A/1250V AC	2	500	70000	328000	39	70	130		
DNT2-R1J-550A/1250V AC	2	550	90000	422000	41	74	137		
DNT2-R1J-630A/1250V AC	2	630	128000	600000	46	83	152		
DNT2-R1J-710A/1250V AC	2	710	164000	693000	48	87	161		
DNT2-R1J-800A/1250V AC	2	800	269000	1260000	54	97	178		

Overall dimensions (mm)



Characteristic curve



Usage and Maintenance

1. When installing, the insertion depth of the studs should not exceed 10mm (recommended 9mm);
2. When tightening the nuts, ensure that the studs do not rotate;
3. It is recommended to use stud installation. There is no recommended torque for stud insertion, but the insertion depth should be less than the thread depth by 1mm;
4. The tightening torque for the nuts should be 21±1 N.m.

DNT2-R1N

Fuse for Semiconductor Equipment Protection

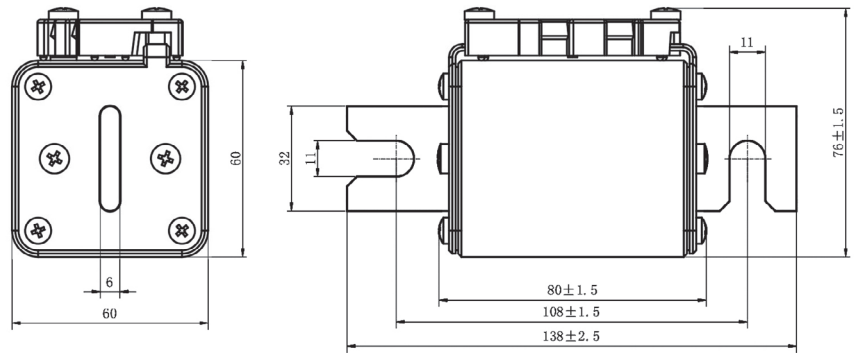


Rated Voltage	1250V AC
Rated Current	250~800A
Protection Category	aR
Breaking Capacity	100kA
Reference Standards	GB/T 13539.4 IEC 60269-4

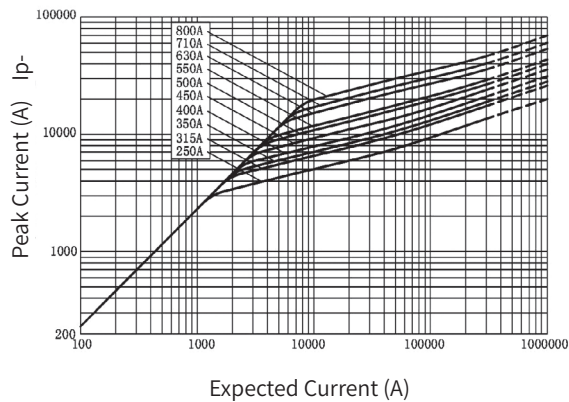
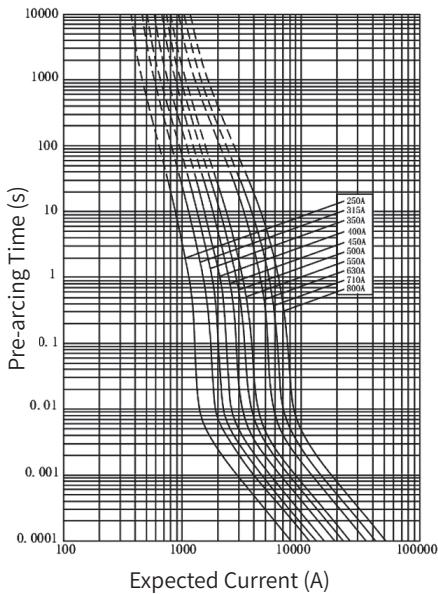
Product parameter

Model No.	Size	In (A)	I²t (A²S)		0.5In Power dissipation(W)	0.8In Power dissipation(W)	1.0In Power dissipation(W)	Weight (g)	Mounting
			Pre-Arcing	Fusing					
DNT2-R1N-250A/1250V AC	2	250	11000	52000	24	44	80	930±3%	M10 21±1N.m
DNT2-R1N-315A/1250V AC	2	315	20000	94000	29	52	96		
DNT2-R1N-350A/1250V AC	2	350	26000	122000	31	56	104		
DNT2-R1N-400A/1250V AC	2	400	37000	174000	34	61	113		
DNT2-R1N-450A/1250V AC	2	450	53000	248000	36	66	122		
DNT2-R1N-500A/1250V AC	2	500	70000	328000	39	70	130		
DNT2-R1N-550A/1250V AC	2	550	90000	422000	41	74	137		
DNT2-R1N-630A/1250V AC	2	630	128000	600000	46	83	152		
DNT2-R1N-710A/1250V AC	2	710	164000	693000	48	87	161		
DNT2-R1N-800A/1250V AC	2	800	269000	1260000	54	97	178		

Overall dimensions (mm)



Characteristic curve



DNT2-R1R

Fuse for Semiconductor Equipment Protection

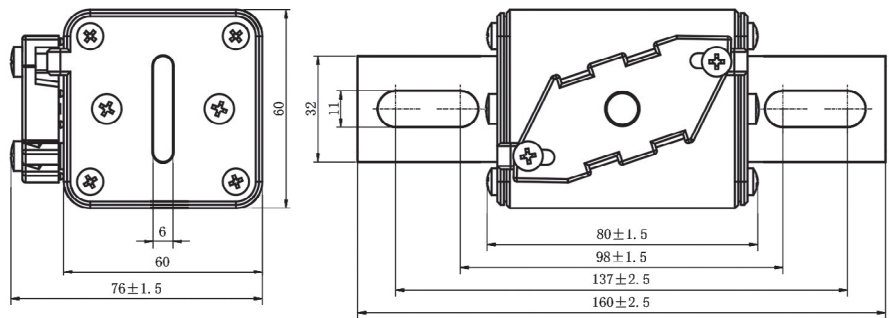


Rated Voltage	1250V AC
Rated Current	250~800A
Protection Category	aR
Breaking Capacity	100kA
Reference Standards	GB/T 13539.4 IEC 60269-4

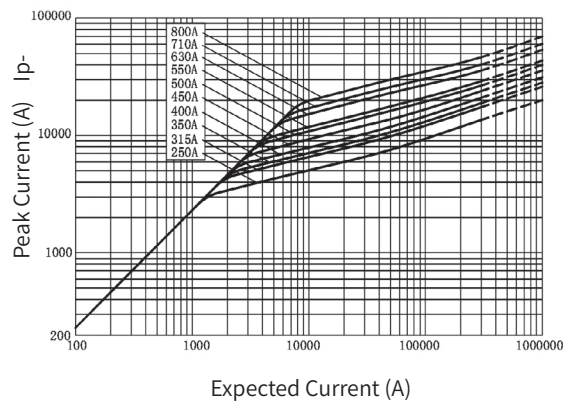
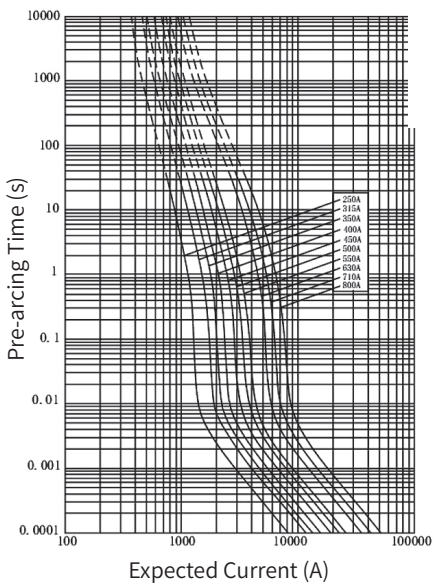
Product parameter

Model No.	Size	In (A)	I ² t (A ² S)		0.5In Power dissipation(W)	0.8In Power dissipation(W)	1.0In Power dissipation(W)	Weight (g)	Mounting
			Pre-Arcing	Fusing					
DNT2-R1R-250A/1250V AC	2	250	11000	52000	24	44	80	960±3%	M10 21±1N.m
DNT2-R1R-315A/1250V AC	2	315	20000	94000	29	52	96		
DNT2-R1R-350A/1250V AC	2	350	26000	122000	31	56	104		
DNT2-R1R-400A/1250V AC	2	400	37000	174000	34	61	113		
DNT2-R1R-450A/1250V AC	2	450	53000	248000	36	66	122		
DNT2-R1R-500A/1250V AC	2	500	70000	328000	39	70	130		
DNT2-R1R-550A/1250V AC	2	550	90000	422000	41	74	137		
DNT2-R1R-630A/1250V AC	2	630	128000	600000	46	83	152		
DNT2-R1R-710A/1250V AC	2	710	164000	693000	48	87	161		
DNT2-R1R-800A/1250V AC	2	800	269000	1260000	54	97	178		

Overall dimensions (mm)



Characteristic curve



DNT2-R1L

Fuse for Semiconductor Equipment Protection

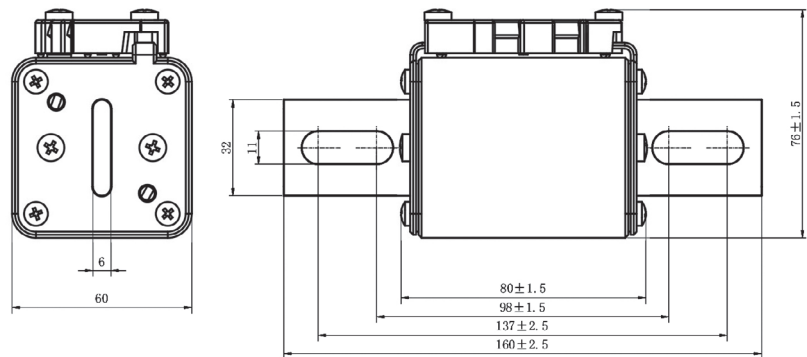


Rated Voltage	1250V AC
Rated Current	250~800A
Protection Category	aR
Breaking Capacity	100kA
Reference Standards	GB/T 13539.4 IEC 60269-4

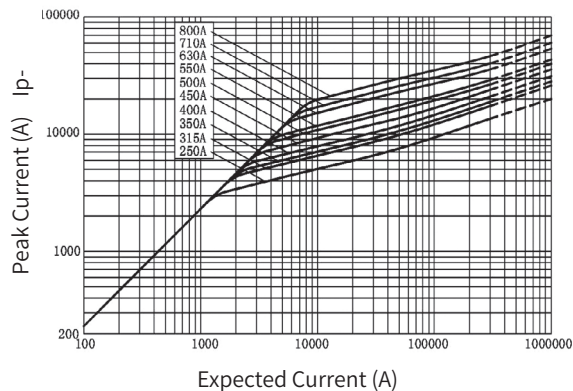
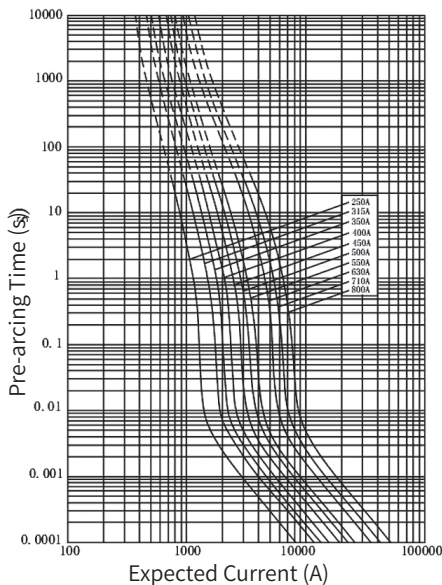
Product parameter

Model No.	Size	In (A)	I ² t (A ² S)		0.5In Power dissipation(W)	0.8In Power dissipation(W)	1.0In Power dissipation(W)	Weight (g)	Mounting
			Pre-Arcing	Fusing					
DNT2-R1L-250A/1250V AC	2	250	11000	52000	24	44	80	960±3%	M10 21±1N.m
DNT2-R1L-315A/1250V AC	2	315	20000	94000	29	52	96		
DNT2-R1L-350A/1250V AC	2	350	26000	122000	31	56	104		
DNT2-R1L-400A/1250V AC	2	400	37000	174000	34	61	113		
DNT2-R1L-450A/1250V AC	2	450	53000	248000	36	66	122		
DNT2-R1L-500A/1250V AC	2	500	70000	328000	39	70	130		
DNT2-R1L-550A/1250V AC	2	550	90000	422000	41	74	137		
DNT2-R1L-630A/1250V AC	2	630	128000	600000	46	83	152		
DNT2-R1L-710A/1250V AC	2	710	164000	693000	48	87	161		
DNT2-R1L-800A/1250V AC	2	800	269000	1260000	54	97	178		

Overall dimensions (mm)



Characteristic curve



DNT3-R1J

Fuse for Semiconductor Equipment Protection

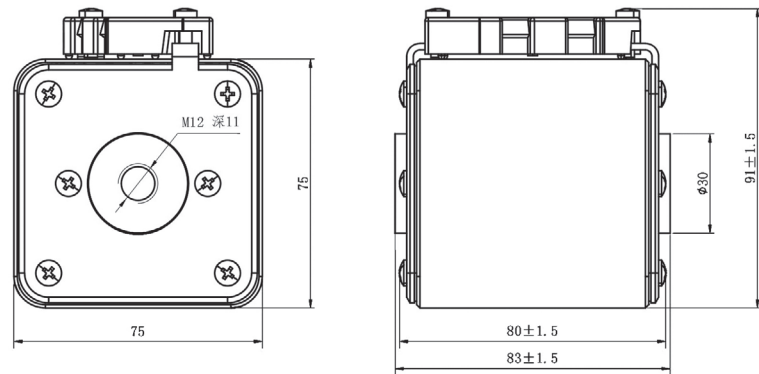


Rated Voltage	1250V AC
Rated Current	315~1100A
Protection Category	aR
Breaking Capacity	100kA
Reference Standards	GB/T 13539.4 IEC 60269-4

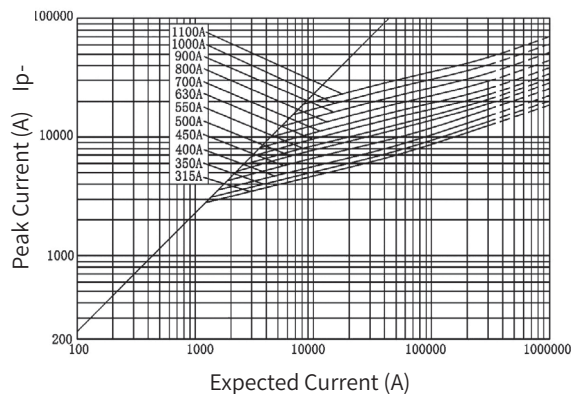
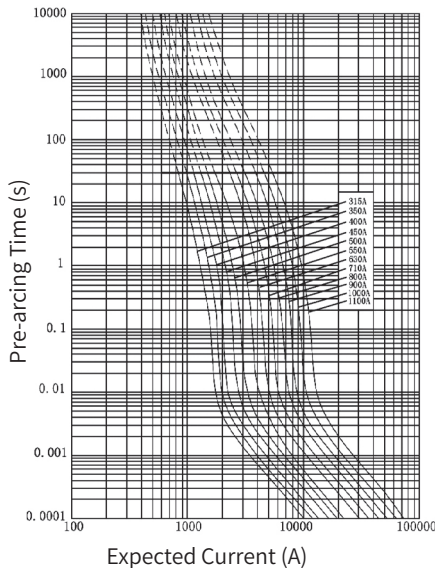
Product parameter

Model No.	Size	In (A)	I ² t (A ² S)		0.5In Power dissipation(W)	0.8In Power dissipation(W)	1.0In Power dissipation(W)	Weight (g)	Mounting
			Pre-Arcing	Fusing					
DNT3-R1J-315A/1250V AC	3	315	13500	41100	29	53	97	1275±3%	M12 38±1N.m
DNT3-R1J-350A/1250V AC	3	350	17800	54100	32	58	107		
DNT3-R1J-400A/1250V AC	3	400	24600	74800	36	65	120		
DNT3-R1J-450A/1250V AC	3	450	34500	105000	39	70	129		
DNT3-R1J-500A/1250V AC	3	500	46100	140000	41	75	136		
DNT3-R1J-550A/1250V AC	3	550	62300	190000	44	79	145		
DNT3-R1J-630A/1250V AC	3	630	91100	277000	48	86	159		
DNT3-R1J-700A/1250V AC	3	700	130000	395000	50	91	165		
DNT3-R1J-800A/1250V AC	3	800	195000	593000	54	99	181		
DNT3-R1J-900A/1250V AC	3	900	285000	867000	57	105	191		
DNT3-R1J-1000A/1250V AC	3	1000	393000	1200000	61	112	204		
DNT3-R1J-1100A/1250V AC	3	1100	549000	1670000	63	116	213		

Overall dimensions (mm)



Characteristic curve



Usage and Maintenance

1. When installing, the insertion depth of the studs should not exceed 11mm (recommended 10mm);
2. When tightening the nuts, ensure that the studs do not rotate;
3. It is recommended to use stud installation. There is no recommended torque for stud insertion, but the insertion depth should be less than the thread depth by 1mm;
4. The tightening torque for the nuts should be 38±1N.m.

DNT3-R1N Fuse for Semiconductor Equipment Protection

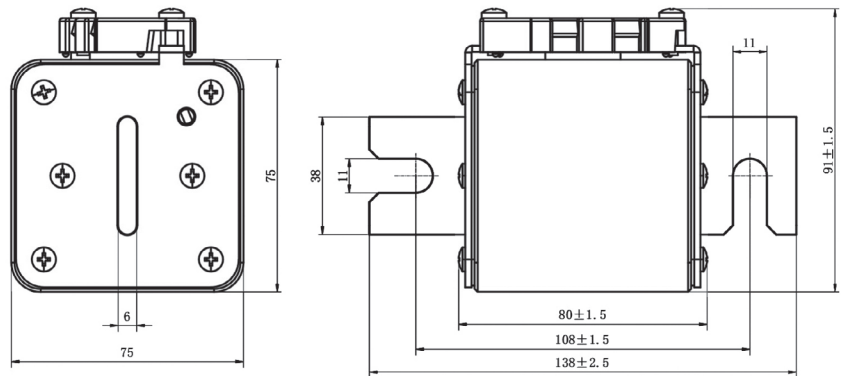


Rated Voltage	1250V AC
Rated Current	315~1100A
Protection Category	aR
Breaking Capacity	100kA
Reference Standards	GB/T 13539.4 IEC 60269-4

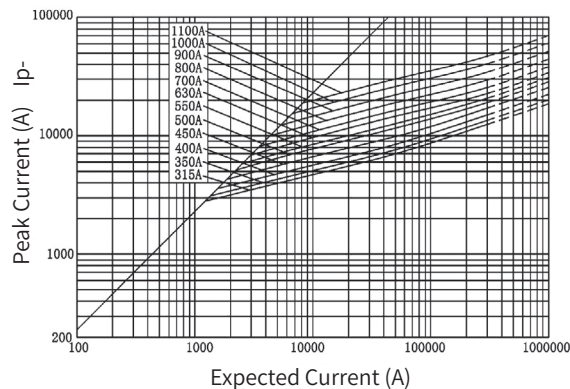
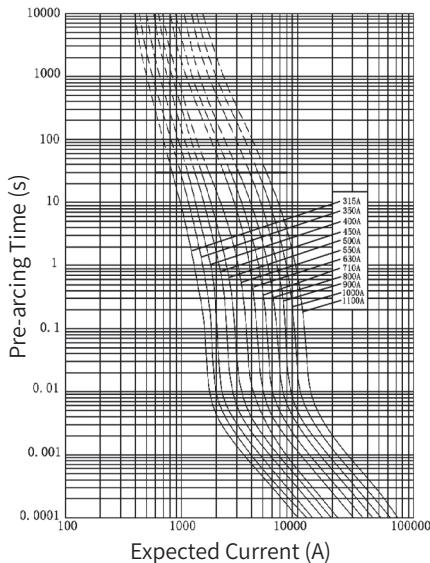
Product parameter

Model No.	Size	In (A)	I ² t (A ² S)		0.5In Power dissipation(W)	0.8In Power dissipation(W)	1.0In Power dissipation(W)	Weight (g)	Mounting
			Pre-Arcing	Fusing					
DNT3-R1N-315A/1250V AC	3	315	13500	41100	29	53	97	1320±3%	M10 21±1N.m
DNT3-R1N-350A/1250V AC	3	350	17800	54100	32	58	107		
DNT3-R1N-400A/1250V AC	3	400	24600	74800	36	65	120		
DNT3-R1N-450A/1250V AC	3	450	34500	105000	39	70	129		
DNT3-R1N-500A/1250V AC	3	500	46100	140000	41	75	136		
DNT3-R1N-550A/1250V AC	3	550	62300	190000	44	79	145		
DNT3-R1N-630A/1250V AC	3	630	91100	277000	48	86	159		
DNT3-R1N-700A/1250V AC	3	700	130000	395000	50	91	165		
DNT3-R1N-800A/1250V AC	3	800	195000	593000	54	99	181		
DNT3-R1N-900A/1250V AC	3	900	285000	867000	57	105	191		
DNT3-R1N-1000A/1250V AC	3	1000	393000	1200000	61	112	204		
DNT3-R1N-1100A/1250V AC	3	1100	549000	1670000	63	116	210		

Overall dimensions (mm)



Characteristic curve



DNT3-R1R

Fuse for Semiconductor Equipment Protection

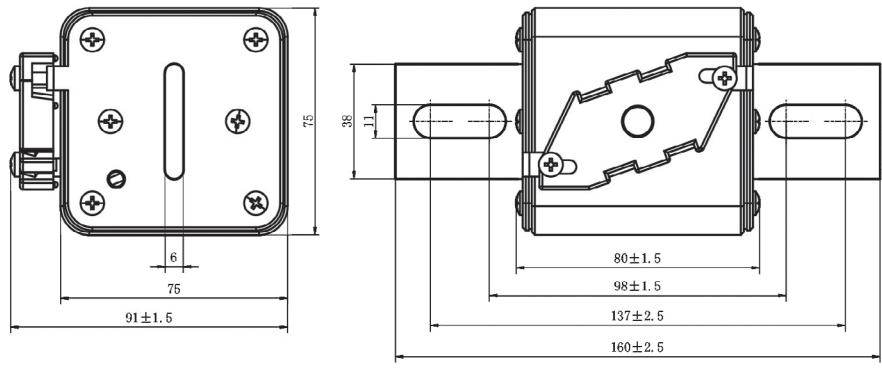


Rated Voltage	1250V AC
Rated Current	315~1100A
Protection Category	aR
Breaking Capacity	100kA
Reference Standards	GB/T 13539.4 IEC 60269-4

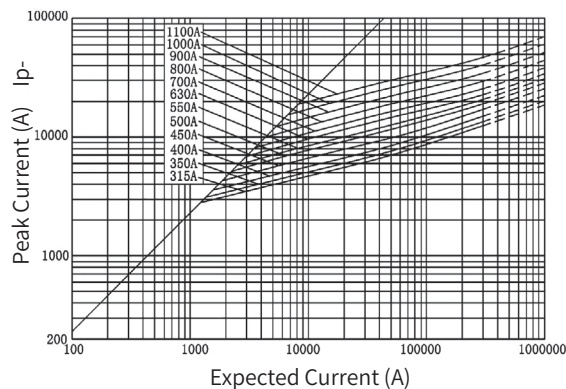
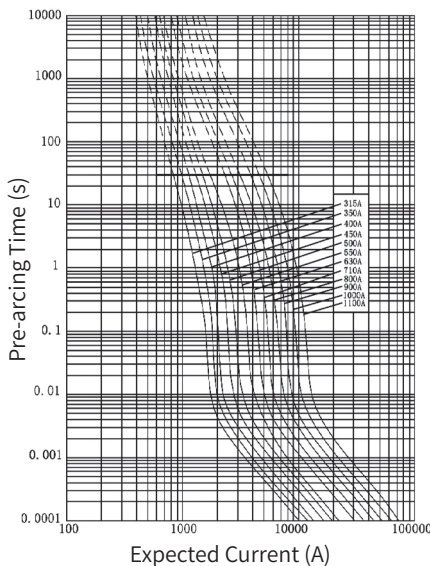
Product parameter

Model No.	Size	In (A)	I ² t (A ² S)		0.5In Power dissipation(W)	0.8In Power dissipation(W)	1.0In Power dissipation(W)	Weight (g)	Mounting
			Pre-Arcing	Fusing					
DNT3-R1R-315A/1250V AC	3	315	13500	41100	29	53	97	1340±3%	M10 21±1N.m
DNT3-R1R-350A/1250V AC	3	350	17800	54100	32	58	107		
DNT3-R1R-400A/1250V AC	3	400	24600	74800	36	65	120		
DNT3-R1R-450A/1250V AC	3	450	34500	105000	39	70	129		
DNT3-R1R-500A/1250V AC	3	500	46100	140000	41	75	136		
DNT3-R1R-550A/1250V AC	3	550	62300	190000	44	79	145		
DNT3-R1R-630A/1250V AC	3	630	91100	277000	48	86	159		
DNT3-R1R-700A/1250V AC	3	700	130000	395000	50	91	165		
DNT3-R1R-800A/1250V AC	3	800	195000	593000	54	99	181		
DNT3-R1R-900A/1250V AC	3	900	285000	867000	57	105	191		
DNT3-R1R-1000A/1250V AC	3	1000	393000	1200000	61	112	204		
DNT3-R1R-1100A/1250V AC	3	1100	549000	1670000	63	116	213		

Overall dimensions (mm)



Characteristic curve



DNT3-R1L

Fuse for Semiconductor Equipment Protection

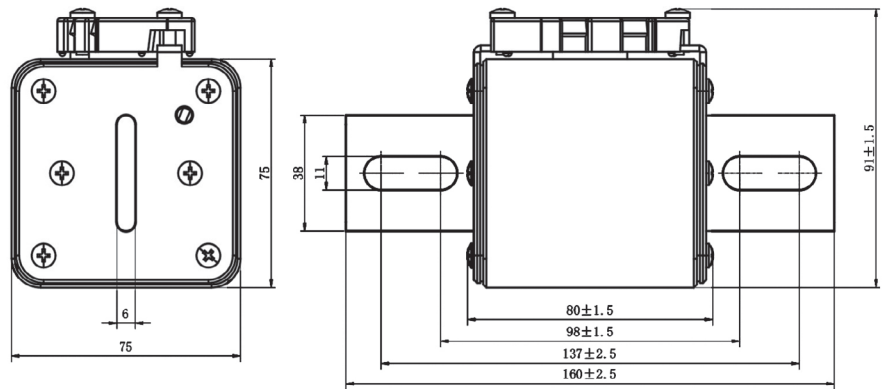


Rated Voltage	1250V AC
Rated Current	315~1100A
Protection Category	aR
Breaking Capacity	100kA
Reference Standards	GB/T 13539.4 IEC 60269-4

Product parameter

Model No.	Size	In (A)	I ² t (A ² S)		0.5In Power dissipation(W)	0.8In Power dissipation(W)	1.0In Power dissipation(W)	Weight (g)	Mounting
			Pre-Arcing	Fusing					
DNT3-R1L-315A/1250V AC	3	315	13500	41100	29	53	97	1340±3%	M10 21±1N.m
DNT3-R1L-350A/1250V AC	3	350	17800	54100	32	58	107		
DNT3-R1L-400A/1250V AC	3	400	24600	74800	36	65	120		
DNT3-R1L-450A/1250V AC	3	450	34500	105000	39	70	129		
DNT3-R1L-500A/1250V AC	3	500	46100	140000	41	75	136		
DNT3-R1L-550A/1250V AC	3	550	62300	190000	44	79	145		
DNT3-R1L-630A/1250V AC	3	630	91100	277000	48	86	159		
DNT3-R1L-700A/1250V AC	3	700	130000	395000	50	91	165		
DNT3-R1L-800A/1250V AC	3	800	195000	593000	54	99	181		
DNT3-R1L-900A/1250V AC	3	900	285000	867000	57	105	191		
DNT3-R1L-1000A/1250V AC	3	1000	393000	1200000	61	112	204		
DNT3-R1L-1100A/1250V AC	3	1100	549000	1670000	63	116	213		

Overall dimensions (mm)



Characteristic curve

