

# HGLR series switch-disconnector-fuse



## Model & Meaning

H GLR - □A / □ · □ C J □ B □  
 ① ② ③ ④ ⑤ ⑥ ⑦ ⑧ ⑨ ⑩

- ① Code of company.
- ② Fuse combination switches.
- ③ Conventional thermal current.
- ④ Rated current A for fuse-link.
- ⑤ Number of poles:  
3 poles, 4 poles (3 poles+on and off neutral pole)
- ⑥ Side operation, no note for front operation.
- ⑦ External operation standard extended shaft 330mm  
If there is special requirements, mark after J, no note for internal operation.
- ⑧ Auxiliary contact.
- ⑨ The connection behind the board. Connection in front of board is not marked.
- ⑩ Form: I modular (160A~1400A)  
II integrated (400A~630A)

Note: Function in brackets will not be noted if it is not needed.

I : S-NO+NC S type auxiliary contacts  
 II : F-NO+NC S type auxiliary contacts

## Introduction

HGLR series fuse combination switches (hereinafter called as switch for short) is a kind of multi-poles hand-operated switch, adopting the shell made of unsaturated polyester resin reinforced with glass-fibres, having very high dielectric performance, protective capability and safe operation.

The operating device is an elastic-accumulating and accelerating instant-release device, which makes instant making and breaking of the double gap contact. It has no relationship with the operation handle and thus greatly increase both the various electrical and mechanical performance. The fuse combination switches can assure the circuit to be turned making and breaking under load, having reliable breaking protection against over-current or short-circuit apparent visible the off state.

Having strong humidity and heat resistant properties.

The switch has an artistic, novel, succinct, small-sized outline, but has various functions, being the best choice among the congeneric products.

## Example of model selection

HGLR-160A/3C

Conventional thermal current 160A, 3 poles, side operation side the board.

# HGLR series switch-disconnector-fuse

Rated current A for fuse combination switches(A)	Rated current A for fuse-link(A)	Fuse-link dimension
63	2、4、6、10、16、20、25、32、40、50、63	00C
160	2、4、6、10、16、20、25、32、40、50、63、80、100、125、160	00
250	16、20、25、40、50、63、80、100、125、160、200、250	1
400	50、63、80、100、125、160、200、250、315、400	2
630	200、250、300、400、500、630	3
1250	800、1000、1250	4

## Characteristics of products

- ※ The elastic-accumulation and instant-release mechanical realize the fast on and off (13.8m/s). Having no relation ship with the speed of the handle and thus increasing various electrical properties.
- ※ The shell made of unsaturated polyester resin reinforced with glass fibres has fine fire-resistant dielectric and safe-operational properties.
- ※ The parallel double gap contact has self-cleaning function.
- ※ It can assure the circuit to be turmed making and breaking under load, and has relicable over-current and short-circuit protection function.
- ※ when change fuse, it can be safety, facility, fast.

## Normal work conditions and installation conditions

- ※ Ambient temperature:-5°C~40°C.
- ※ Altitude: shall not exceed 2000m.
- ※ The atmosphere condition: The relative humidity shall not exceed 50% when the environmental temperature is +40°C in installing place; And the relative humidity may be higher at the lowertemperature condition. Such as when the humidity is 90% when the temperature is +20°C. It shall take some special management to avoid the dew occurs on the product surface due to temperature change.
- ※ Pollution grade:III
- ※ The product shall be installed in the place without remarkable shake, strke and quiver, rain and snow, in the medium without danger of exploding, and in the places without gas and conductive dust, with can make the metal go rust and affect insulation performances.

## HGLR-63~1250 type of fuse combination switches

HGLR-63~400 is of modular design structure.

HGLR-63~1250 is Overall design structure.

Ensure making and break under load, reliable over-current and short-circuit off-protection.

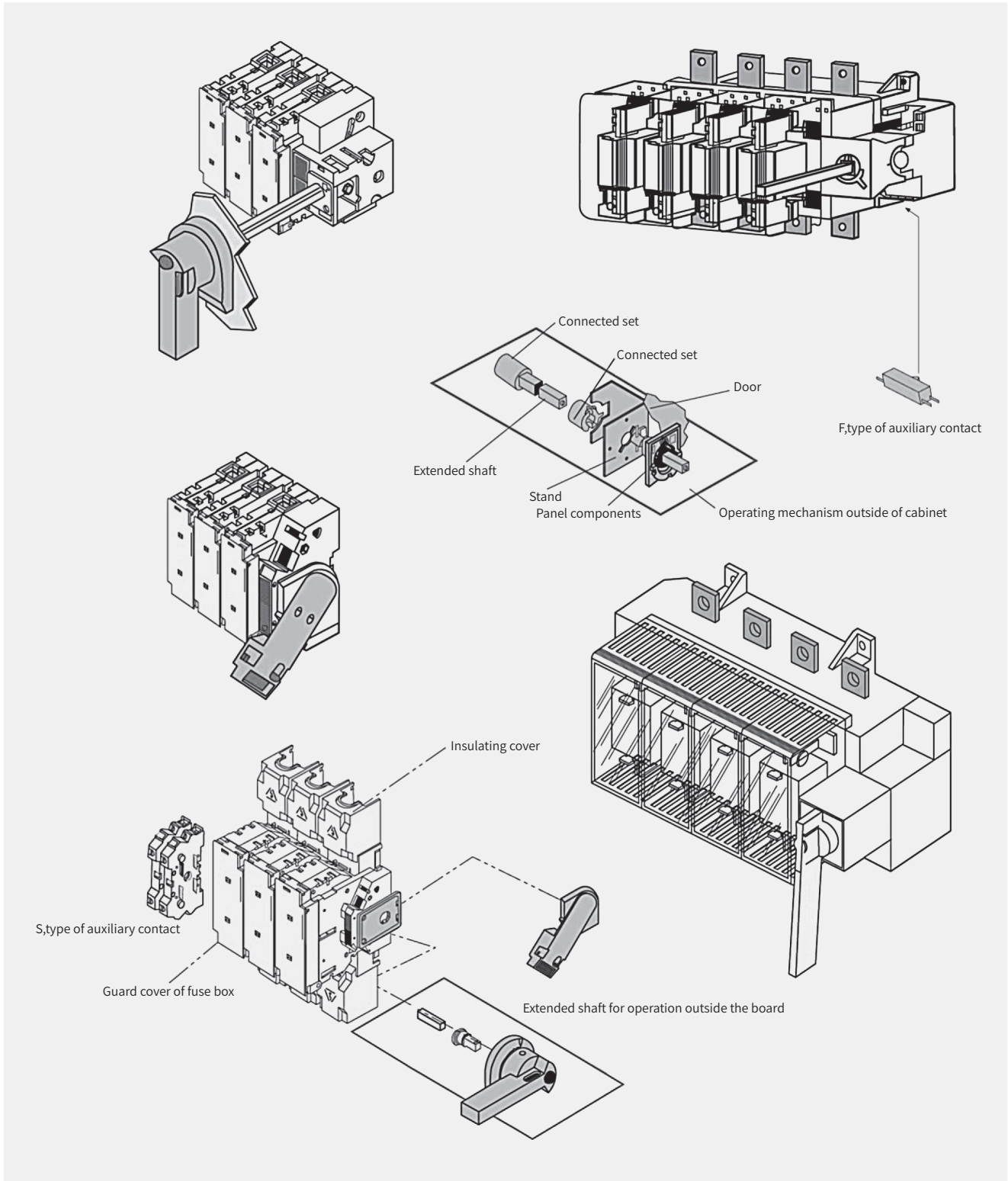
Structures and operation forms:

### F,S type of auxiliary contact can be provided.

- ※ Direct front operation: the handle is installed in front of the switch.
- ※ Direct side operation: the handle is installed at the right side of the switch.
- ※ Front operation outside the board: the handle is assembled at the front of the distributing board.
- ※ Side operation outside the board: the handle is assembled at the right side of the board .

# HGLR series switch-disconnector-fuse

## HGLR-63~1250 sketch diagram of fuse combination switches



# HGLR series switch-disconnector-fuse

## Electrical and mechanical properties of HGLR-63~1250 type of fuse combination switch

Conventional thermal current I <sub>th</sub> (A)	63	160	250	400	630	1250
RT16 fuse-link dimension NT	00C	00C	1	2	3	4
Rated insulation voltage U <sub>i</sub> (V)	750	750	750	750	750	750
Dielectric strength (V)						
Rated surge-resistant voltage (U <sub>imp</sub> kV)	6	6	6	6	6	6

Rated working current I <sub>e</sub> (A)							
380V	AC-23B	63	160	250	400	630	1250
660V	AC-21B		160	250	400	630	1250
short-circuit limiting current (I <sub>q</sub> ) (kA)		50	50	50	50	50	50

Connected with breaking capacity(A Rms)							
Rated making capability		630	1600	2500	4000	6300	10000
Rated breaking capability		504	1280	2000	3200	5040	10000

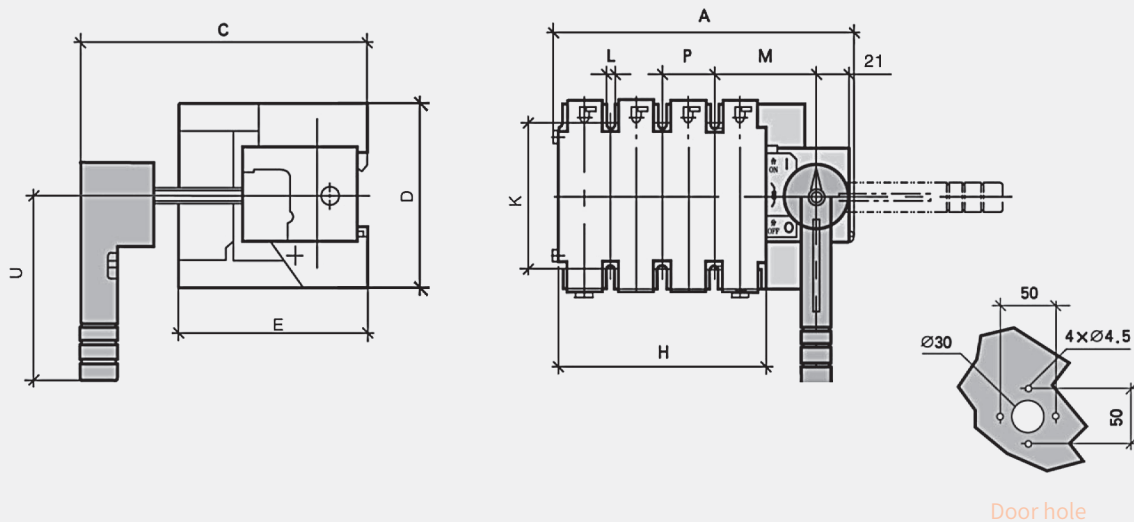
Operating performance							
Mechanical durability 380V		1700	1400	1400	800	800	500
Electrical curability 380V		300	200	200	200	200	100
Mechanical durability 660V		1700	1400	1400	800	800	500

Weight (kg)							
3 poles		1	1.8	3.2	4.8	16	28
4 poles		1.3	2.3	4.5	6.1	19	33

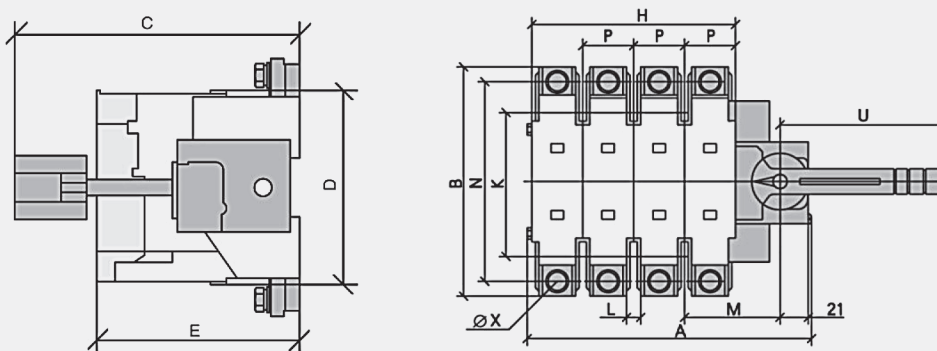
# HGLR series switch-disconnector-fuse

## HGLR-63~400 Overall & Installation Dimension

Front operation 63



Front operation 160~400

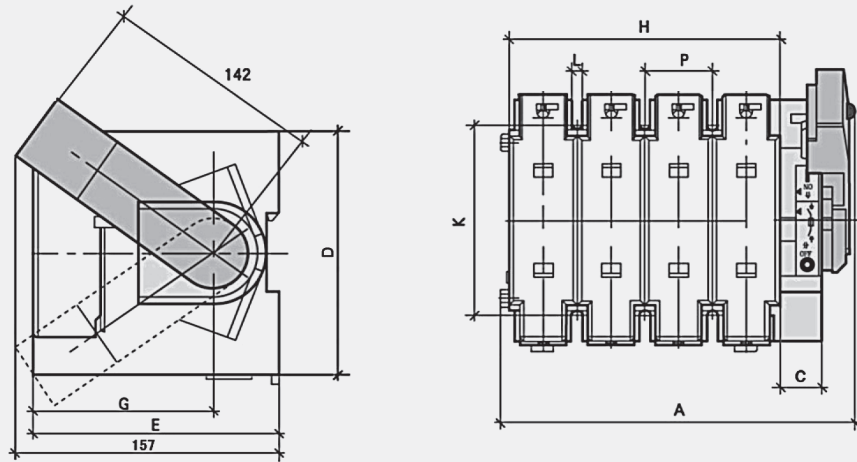


Specification	A	B	C	D	E	H	M	K	N	P	U	L	ΦX
HGLR-63A/3	154		191	121	117	96	63	90		32	115	5	
HGLR-63A/4	186		191	121	117	128	63	90		32	115	5	
HGLR-160A/3	167	162	192	121	127	108	67	90	141	36	115	5	9
HGLR-160A/4	203	162	192	121	127	144	67	90	141	36	115	5	9
HGLR-250A/3	239	195	200	165	146	180	93	137	165	60	145	6	11
HGLR-250A/4	323	195	200	165	146	240	117	137	165	60	145	6	11
HGLR-400A/3	281	205	200	170	149	198	122	137	175	66	145	6	11
HGLR-400A/4	347	205	200	170	149	264	122	137	175	66	145	6	11

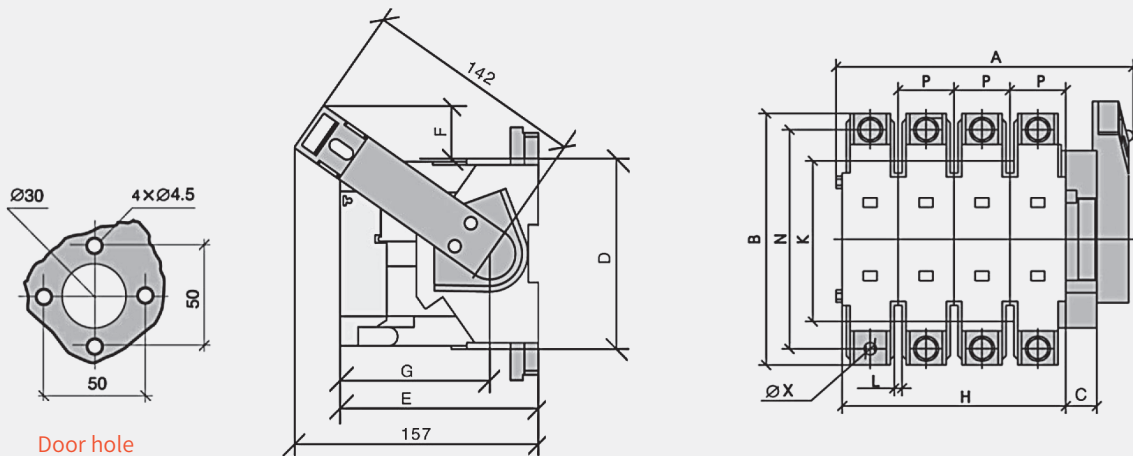
# HGLR series switch-disconnector-fuse

## HGLR-630~1250 sketch diagram of fuse combination switches

Side direction operation of 63



Front operation 160~400

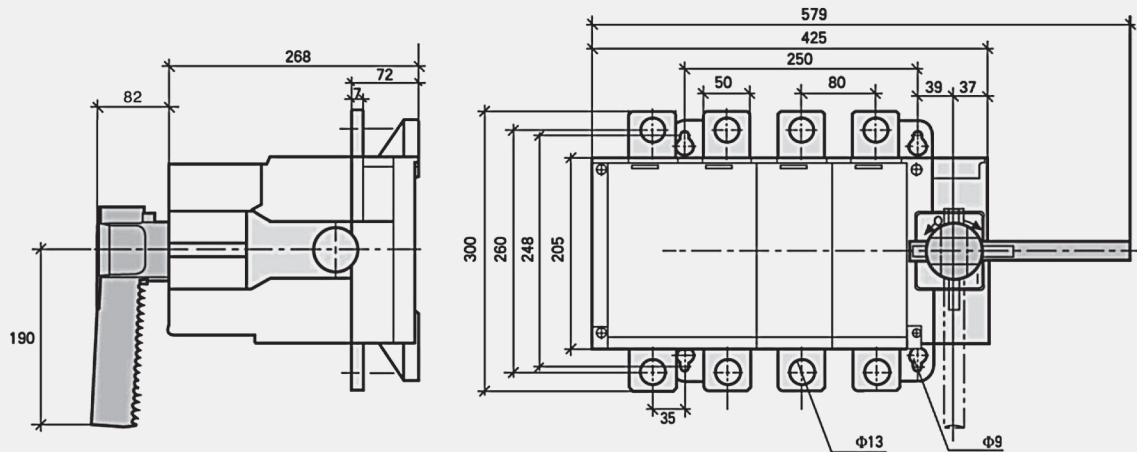


Specification	A	B	C	D	E	F	H	K	N	P	L	G	ΦX
HGLR-63A/3C	140		20	121	117	40	96	90		32	5	94	
HGLR-63A/4C	172		20	121	117	40	128	90		32	5	94	
HGLR-160A/3C	152	162	20	121	127	40	108	90	141	36	5	104	9
HGLR-160A/4C	188	162	20	121	127	40	144	90	141	36	5	104	9
HGLR-250A/3C	224	195	20	165	146	18	180	137	165	60	6	123	11
HGLR-250A/4C	314	195	50	165	146	18	240	137	165	60	6	123	11
HGLR-400A/3C	272	205	50	170	149	15	198	147	175	66	6	126	11
HGLR-400A/4C	338	205	50	170	149	15	264	147	175	66	6	126	11

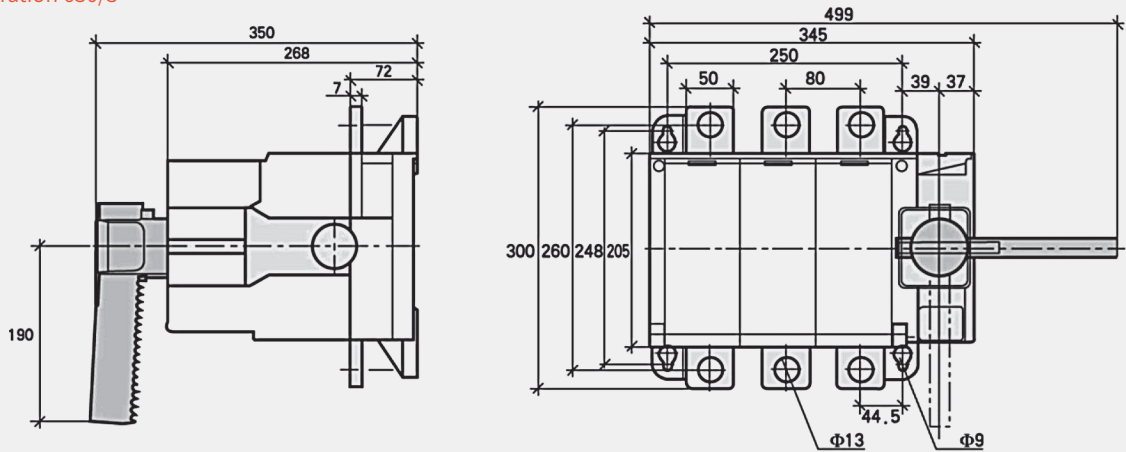
# HGLR series switch-disconnector-fuse

## HGLR-630 Overall & Installation Dimension

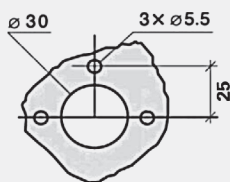
Front operation 630/4



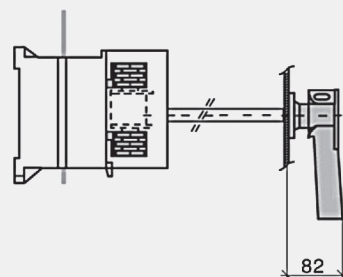
Front operation 630/3



Door hole



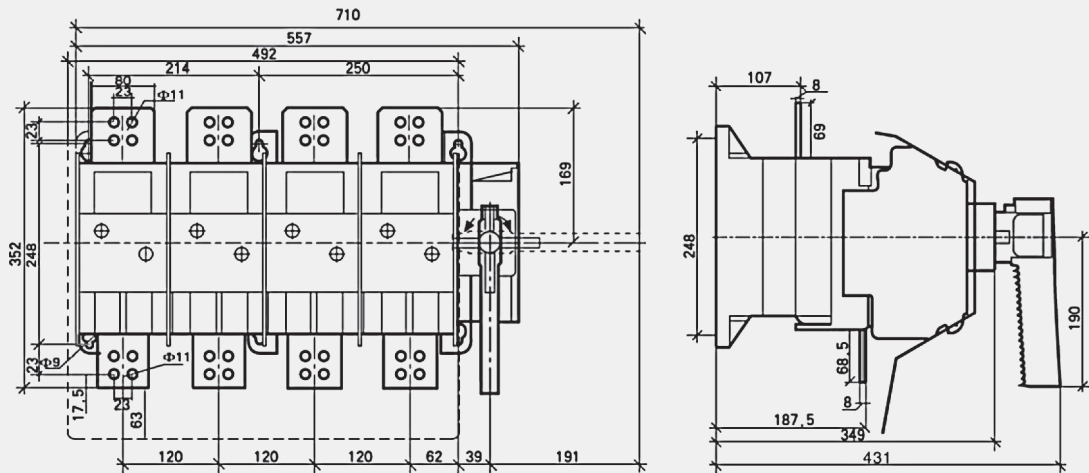
Front operation outside the board 630



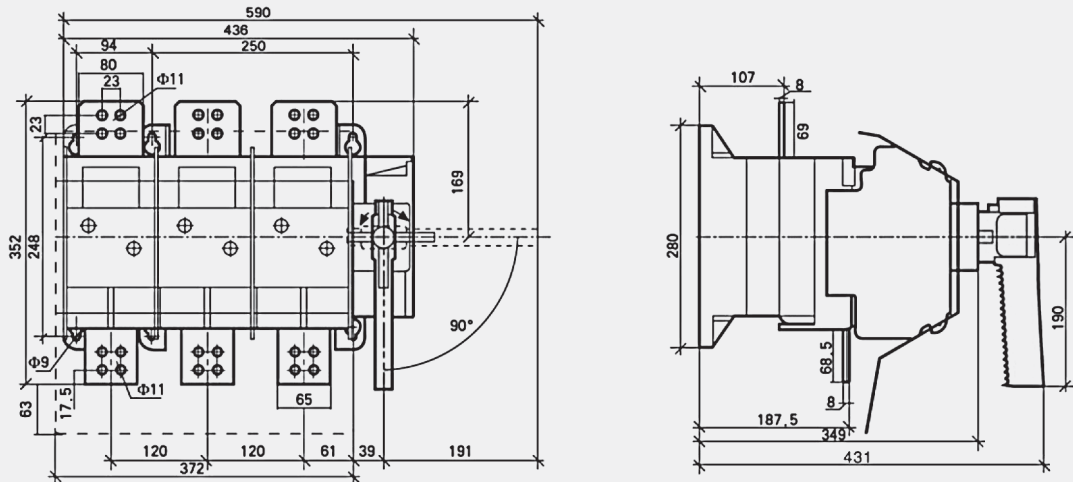
# HGLR series switch-disconnector-fuse

## HGLR-1250 Overall & Installation Dimension

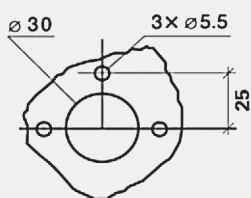
Front operation 1250/4



Front operation 1250/3



Door hole



Front operation outside the board 1250

