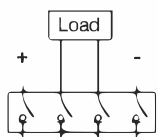


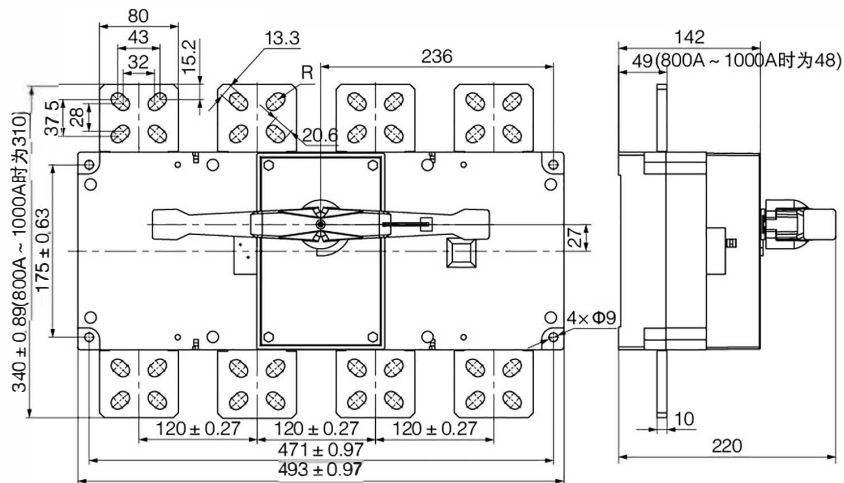
# DNH19 DC Isolation Switch



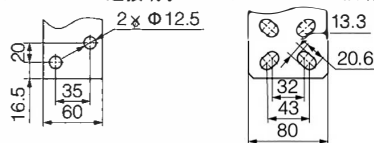
model	DNH19-800/4	DNH19-1000/4	DNH19-1250/4
Rated Operational Current $I_e$	800A	1000A	1250A
Rated Operational Voltage $U_e$	DC1000V/DC1500V	DC1000V/DC1500V	DC1000V/DC1500V
Nominal Insulation Voltage $U_i$	1500V	1500V	1500V
Installation Category	IV	IV	IV
Use Classes	DC-21B	DC-21B	DC-21B
Dielectric Strength	3820V	3820V	3820V
Rated Impulse Withstand Voltage $U_{imp}$	12kV	12kV	12kV
Rated Short-time Withstand Current $I_{cw} / 1s$	10kA	10kA	10kA
Rated short-circuit connecting capacity (1cm)	10kA	10kA	10kA
Mechanical life (times)	500	500	500
Long-life electrical (DC1500V)	100	100	100
Operating torque	50N.m	50N.m	50N.m



elementary diagram



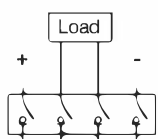
800A ~ 1000A连接端子 1250A ~ 1600A连接端子



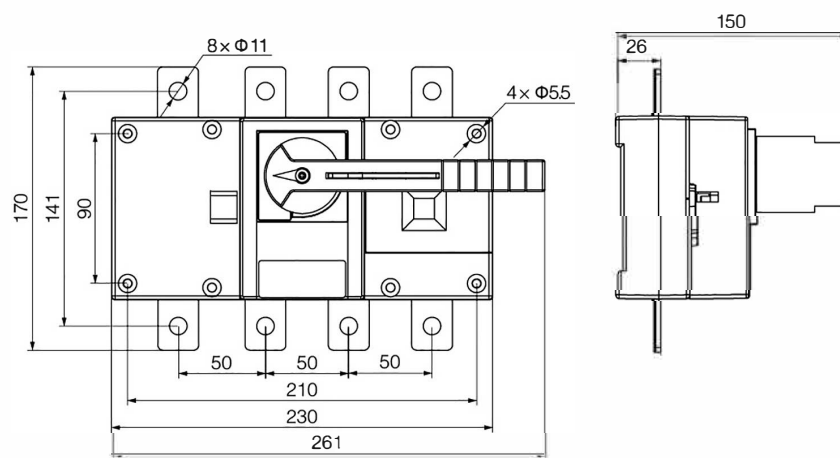
# DNH19 DC Isolation Switch



model	DNH19-100/4	DNH19-125/4	DNH19-160/4	DNH19-200/4	DNH19-250/4
Rated Operational Current $I_e$	100A	125A	160A	200A	250A
Rated Operational Voltage $U_e$	DC1000V/ DC1500V	DC1000V/ DC1500V	DC1000V/ DC1500V	DC1000V/ DC1500V	DC1000V/ DC1500V
Nominal Insulation Voltage $U_i$	1500V	1500V	1500V	1500V	1500V
Installation Category	IV	IV	IV	IV	IV
Use Classes	DC-21B	DC-21B	DC-21B	DC-21B	DC-21B
Dielectric Strength	3820V	3820V	3820V	3820V	3820V
Rated Impulse Withstand Voltage $U_{imp}$	12kV	12kV	12kV	12kV	12kV
Rated Short-time Withstand Current $I_{cw} / 1s$	6kA	6kA	6kA	6kA	6kA
Rated short-circuit connecting capacity (1cm)	10kA	10kA	10kA	10kA	10kA
Mechanical life (times)	1700	1400	1400	1400	1400
Long-life electrical (DC1500V)	300	200	200	200	200
Operating torque	10N.m	10N.m	10N.m	10N.m	10N.m



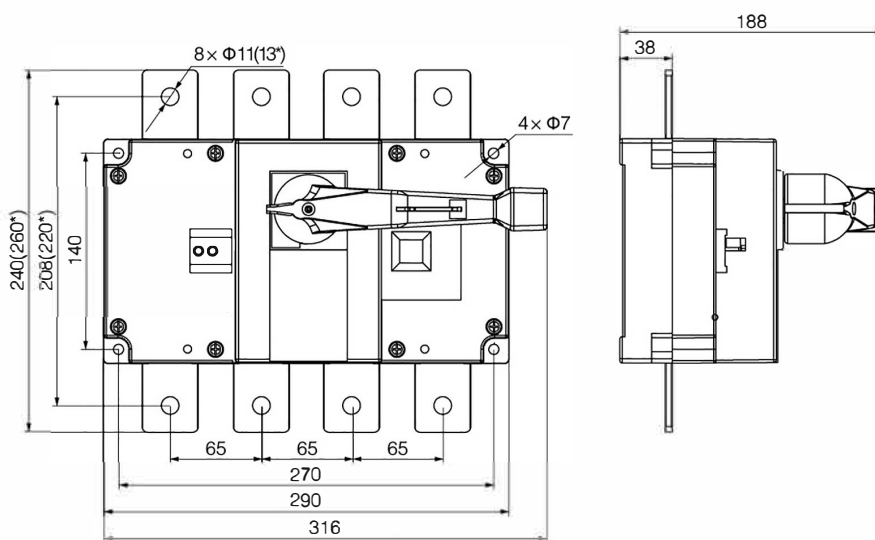
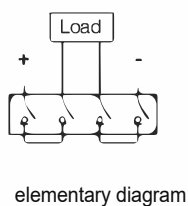
elementary diagram



# DNH19 DC Isolation Switch



model	DNH19-315/4	DNH19-400/4	DNH19-500/4	DNH19-630/4
<b>Rated Operational Current</b>	315A	400A	500A	630A
<b>Rated Operational Voltage</b>	DC1000V/DC1500V	DC1000V/DC1500V	DC1000V/DC1500V	DC1000V/DC1500V
<b>Nominal Insulation Voltage<math>U_i</math></b>	1500V	1500V	1500V	1500V
<b>Installation Category</b>	IV	IV	IV	IV
<b>Use Classes</b>	DC-21B	DC-21B	DC-21B	DC-21B
<b>Dielectric Strength</b>	3820V	3820V	3820V	3820V
<b>Rated Impulse Withstand Voltage <math>U_{imp}</math></b>	12kV	12kV	12kV	12kV
<b>Rated Short-time Withstand Current <math>I_{cw}/1s</math></b>	8kA	8kA	10kA	10kA
<b>Rated short-circuit connecting capacity (1cm)</b>	13.6kA	13.6kA	13.6kA	13.6kA
<b>Mechanical life (times)</b>	1400	800	800	800
<b>Long-life electrical (DC1500V)</b>	200	200	200	200
<b>Operating torque</b>	21N.m	21N.m	21N.m	21N.m



\* Note: the data marked in brackets are 500A and 630A sizes