

DNTRS

Bar Fuse Holder



Scope of application

- ※ DNTRS bar fuse holder used in AC 50(60) Hz 100mm or 185mm busbar system with rated voltage up to 690V and rated current up to 630A, it is mainly used for overload and short circuit protection of circuit.
- ※ DNTRS bar fuse holder has been widely used for box transformer and cable branch box.
- ※ DNTRS bar fuse holder complies with standard of GB13539.2、IEC60269.2 and IEC60947.3.

Structure Feature

DNTRS series bar fuse holder is mainly mounted in rail of bus, which intergrates three single-pole fuse holders in end-to-end arrangement, A contact (feeding contact) of each phase is connected with one phase of bus, and other contacts (output contact) are equipped with conductor connection unit.

The DNTRS bar fuse holder carrying live part is made of fibre reinforced plastic (FRP), Ag-plated fuse contact with Tin-plated end block ensures low power loss, high accepting power and low work temperature.

DNTRS bar fuse holder can be fixed by screw or hook. When it is mounted with hook, the busbar does not need punching, which makes the installation easier, more flexible and more reliable.

Model & Meaning

DN TRS - □ / □
 ① ② ③ ④

- ① Code of company
- ② bar fuse holder
- ③ Rated thermal current
- ④ 100mm busbar system; 180mm busbar system

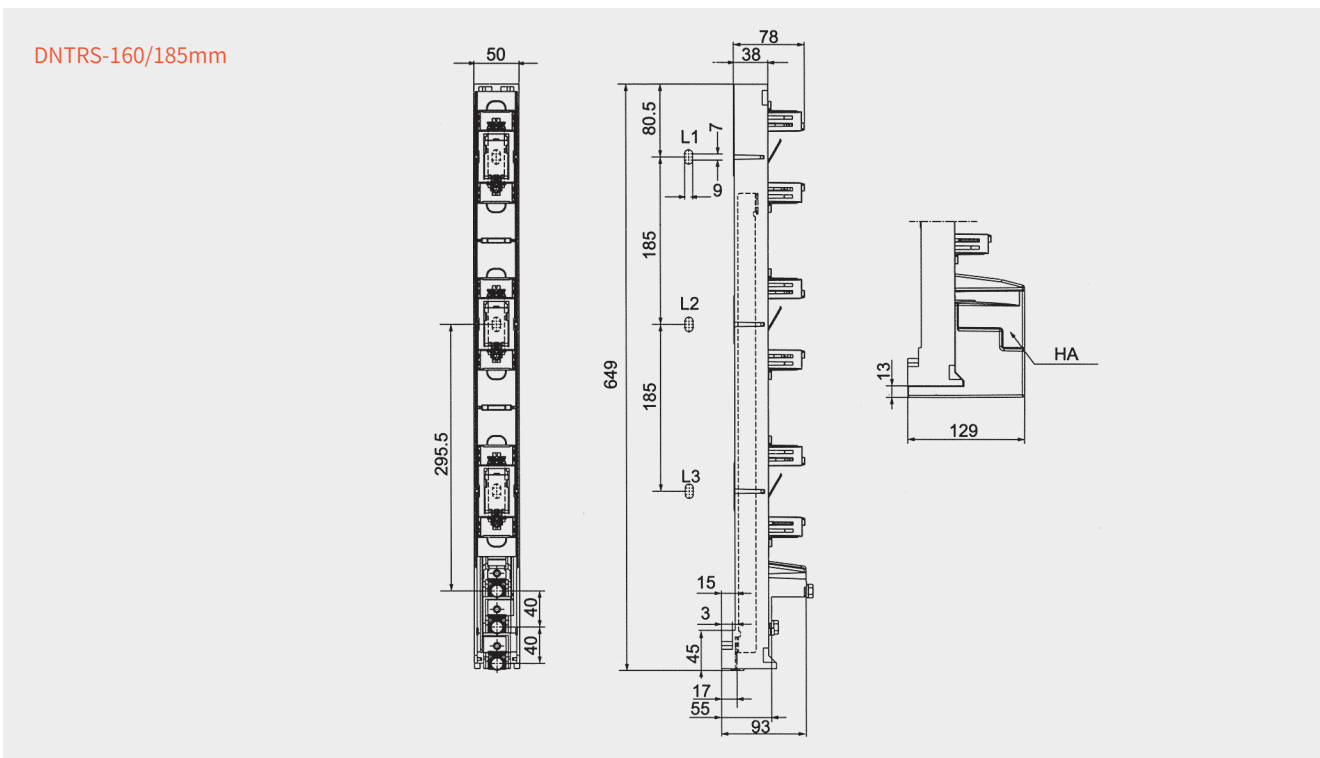
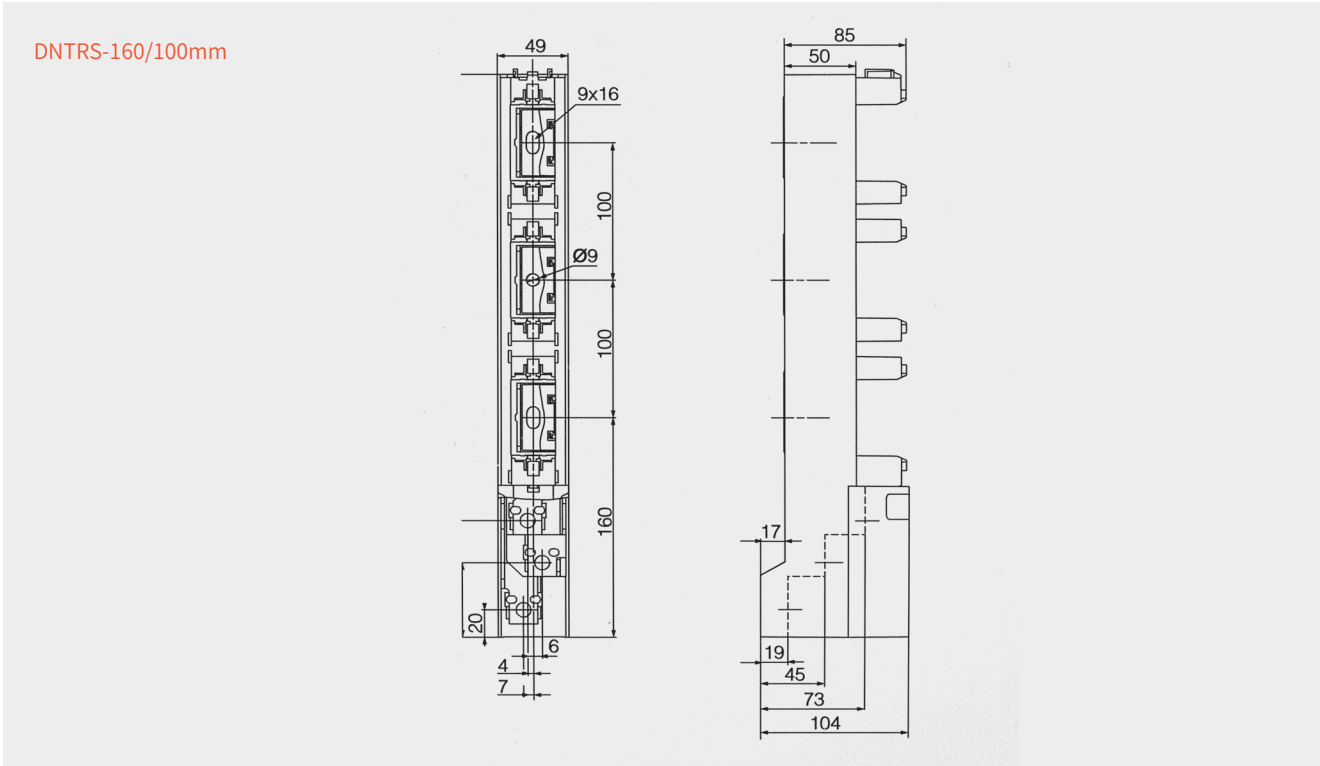
Principal technical parameter

Model and specification	Busbar system (mm)	Equipped fuse link	Note
DNTRS-160/100	100 (Note)	NH00(RT16-00)	Single pole Breaking
DNTRS-160/185	185	NH00(RT16-00)	Single pole Breaking
DNTRS-250/185	185	NH1(RT16-1)	Single pole Breaking
DNTRS-400/185	185	NH2(RT16-2)	Single pole Breaking
DNTRS-630/185	185	NH3(RT16-3)	Single pole Breaking

Note: through transfer device or 185mm system.

DNTRS Bar Fuse Holder

Overall & Installation Dimension



DNTRS Bar Fuse Holder

DNTRS-250/185mm
DNTRS-400/185mm
DNTRS-630/185mm

